

STANDARD FASCIA TABLE OF CONTENTS

Standard Fascia Information, Specifications, and Dimensions	3
Standard Color Definition for Closed Fascias	4
Standard Color Definition for Open Fascias	5
FS0010PE – Structural Spacer Connections	6
FS0020PE – Sidewall Dimensions (Open Fascia)	7
FS0030PE – Endwall Dimensions (Open Fascia)	8
FS0040PE – Sidewall Dimensions (Closed Fascia)	9
FS0050PE – Endwall Dimensions (Closed Fascia)	10
Fascia Structural @ Bypass Girts	11
HA1010 – Intermediate Frames @ Low Eave	11
HA1020 – Intermediate Frames @ Post & Beam Endwall (Rake) - Closed Fascia	12
HA1025 – Intermediate Frames @ Post & Beam Endwall (Rake) - Open Fascia...	13
HA1030 – Intermediate Frames @ High Eave	14
HA1050 – Horizontal Spacer Erector Note	15
Fascia Structural @ Inset Girts	16
HB1010 – Intermediate Frames @ Low Eave	16
HB1020 – Intermediate Frames @ Post & Beam Endwall (Rake) - Closed Fascia	17
HB1025 – Intermediate Frames @ Post & Beam Endwall (Rake) - Open Fascia...	18
HB1030 – Intermediate Frames @ High Eave	19
Fascia Structural @ Flush Girts	20
HC1010 – Intermediate Frames @ Low Eave	20
HC1020 – Intermediate Frames @ Post & Beam Endwall (Rake) - Closed Fascia	21
HC1025 – Intermediate Frames @ Post & Beam Endwall (Rake) - Open Fascia...	22
HC1030 – Intermediate Frames @ High Eave	23
Fascia Structural @ Post & Beam Endwall	24
HD1010 – End Frame @ High Eave	24
HD1020 – End Frame @ Low Eave	25
Fascia Structural @ Corners	26
HE1010 – Return To Main Building	26
HE1020 – Outside Corner	27
HE1030 – Corner @ Sidewall Elevation	28
HE1040 – Inside Corner Detail @ SW	29
HE1050 – Inside Corner Detail @ EW	30
Fascia Structural @ Secondary Members	31

HF1010 – Intermediate Girts.....	31
HF1020 – Sag Cable (≤ 20'-0" Bays)	32
HF1030 – Sag Cable (> 20'-0" Bays)	33
HF1060 – Sag Cable @ Corner	34
Fascia Sheeting @ Classic Roof (Closed Fascia)	35
HG1010 – Sidewall Fascia sheeting w/ Eave Strut	35
HG1030 – Sidewall Extended Fascia sheeting w/ (2) Eave Struts	36
HG1050 – Endwall Fascia sheeting	37
HG1060 – High Eave Fascia sheeting	38
Fascia Sheeting @ Classic Roof (Open Fascia).....	39
HH1020 – Sidewall Fascia sheeting w/ Gutter	39
HH1040 – Endwall Fascia sheeting	40
HH1050 – High Eave Fascia sheeting	41
Fascia Sheeting @ CFR Roof (Closed Fascia)	42
HI6020 – Sidewall Fascia sheeting w/ Eave Strut	42
HI6040 – Sidewall Extended Fascia sheeting w/ (2) Eave Struts	43
HI6060 – Endwall Fascia sheeting	44
HI6070 – High Eave Fascia sheeting	45
Fascia Sheeting @ CFR Roof (Open Fascia).....	46
HJ6020 – Sidewall Fascia sheeting w/ Gutter	46
HJ6040 – High Eave Fascia sheeting	47
HJ6050 – Endwall Fascia sheeting	48
Fascia Trim.....	49
HK1020 – Outside Corner w/ “Accent Panel” Face Panel.....	49
HK1050 – Fascia Termination @ Existing w/ “Accent Panel” Face Panel.....	50
HK1090 – Fascia Termination Above Roof w/ “Accent Panel” Face Panel.....	51
HK1120 – Fascia Termination Below Roof w/ “Accent Panel” Face Panel	52
HK1140 – Soffit Corner Trim.....	53
HK1150 – Fascia Cap Trim @ Corner	54
HK1170 – Fascia Termination @ Soffit w/ Channel Return	55
HK1180 – Parapet Gutter Interior Splice.....	56

STANDARD FASCIA INFORMATION, SPECIFICATIONS, AND DIMENSIONS

1. Fascias may be open or closed soffit with a closed with soffit being the standard condition.
2. Fascias **MUST** terminate at a sidewall or endwall column.
3. Fascia sheeting material, including face panel, back panel, and soffit panel is available in either Nucor Classic Wall™, Nucor Reverse Classic Wall™, Nucor Accent Wall™, when supplied by Nucor Building Systems. Fascia sheeting may also be specified as supplied by others or not by Nucor Building Systems. In these cases, the weight of the sheeting and any specified deflection criteria must be supplied to Nucor Building Systems with the quote request and order documents. Contact the engineering team for assistance.
4. Fascia standard location is at/near the Eave height of a building.
5. With a Nucor CFR™ standing seam roof, a minimum of 18" is required above the highest portion of the roof structural to the top of a closed fascia to provide space for proper flashing. With a Nucor Classic Roof™, a minimum of 10" is required for this condition.
6. The fascia clear dimension is taken from finish floor to bottom of the fascia structural.

Additional information Nucor standard fascias is available at the Nucor Building Systems website at the below link.

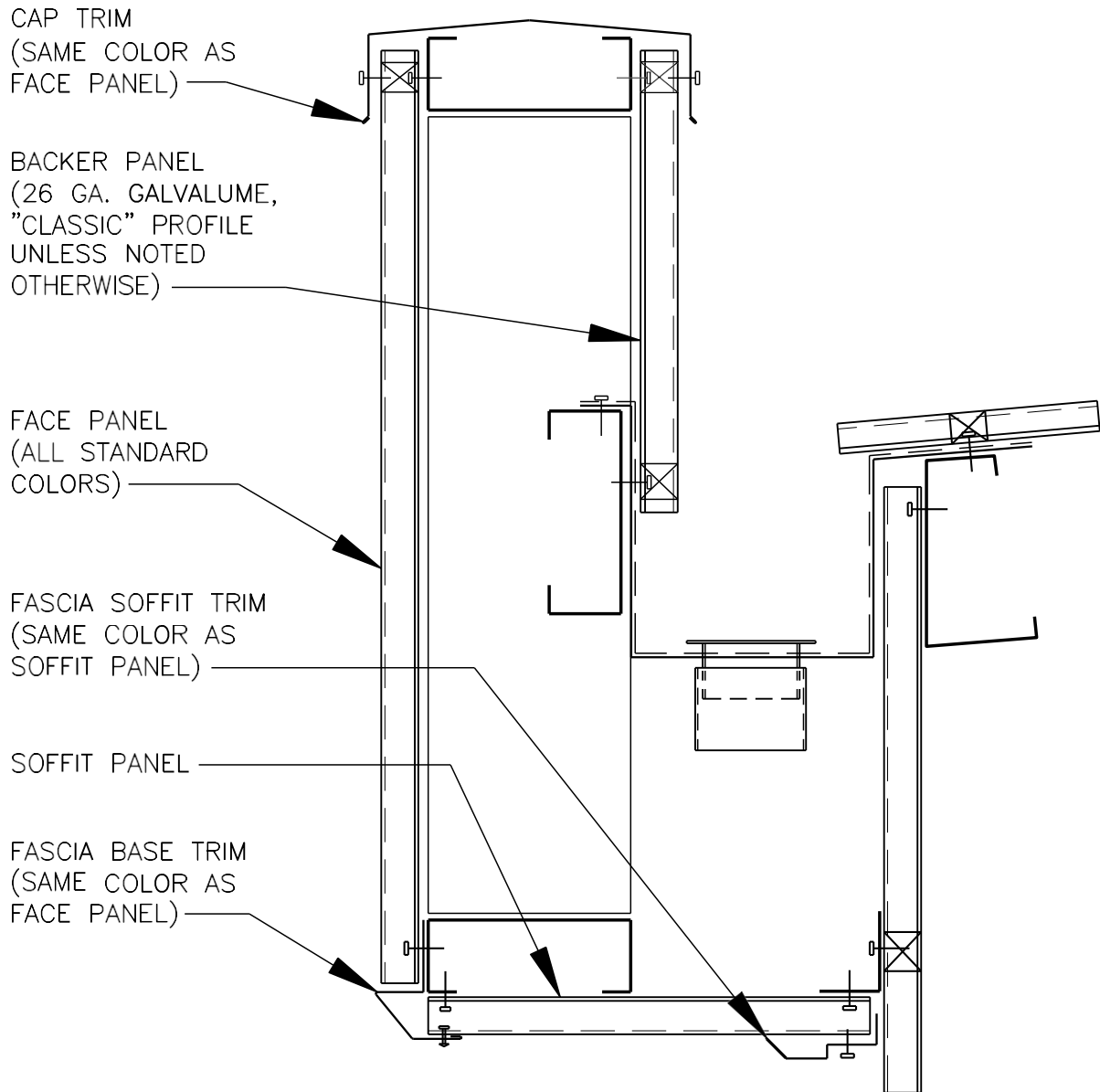
[Standard Nucor Fascia](#)

The following pages provide standard details for projects with fascias.

STANDARD COLOR DEFINITION FOR CLOSED FASCIAS

STANDARD COLORS FOR CLOSED FASCIAS

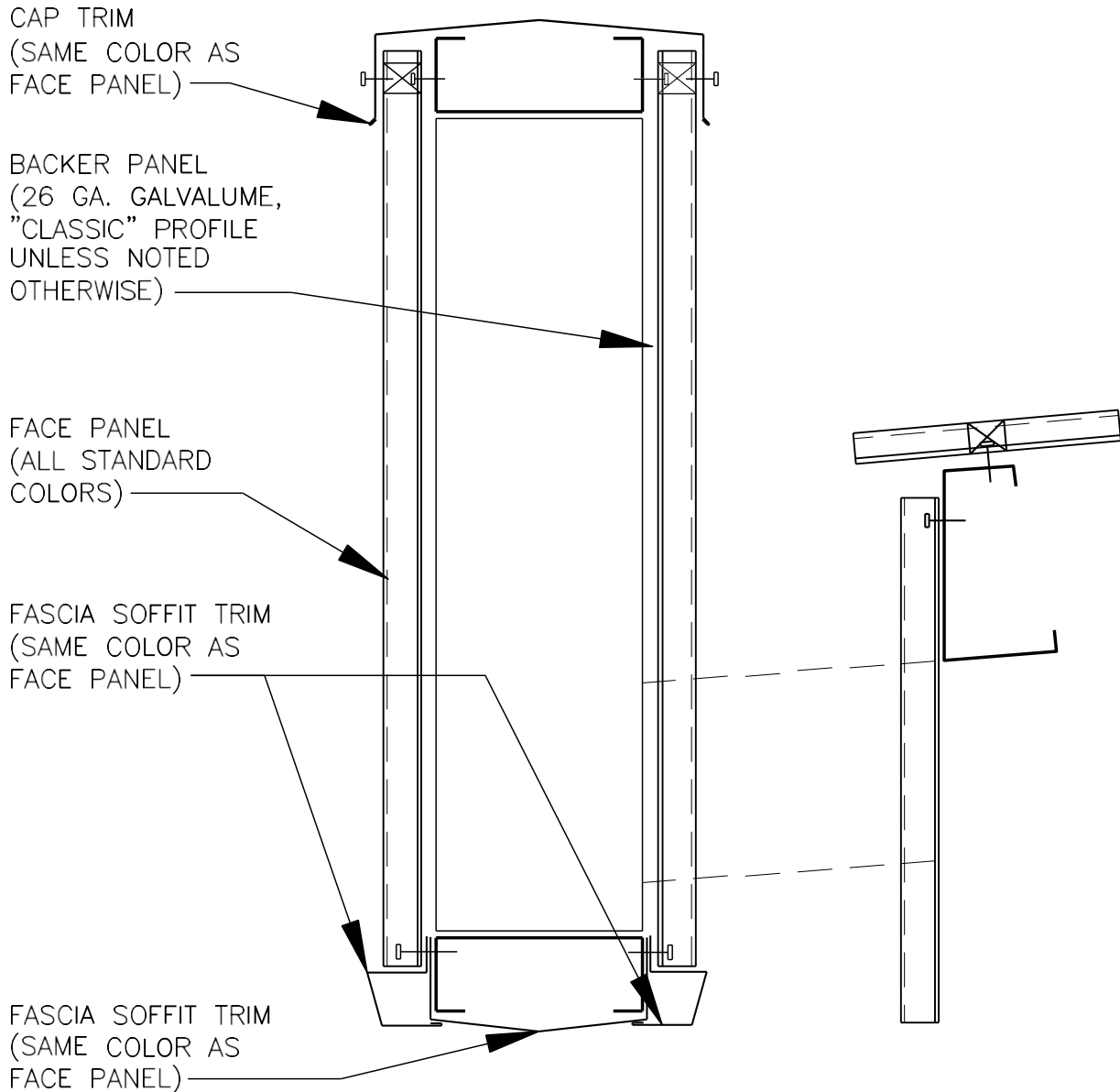
CLOSED_FASCIA.dwg



STANDARD COLOR DEFINITION FOR OPEN FASCIAS

STANDARD COLORS FOR OPEN FASCIAS

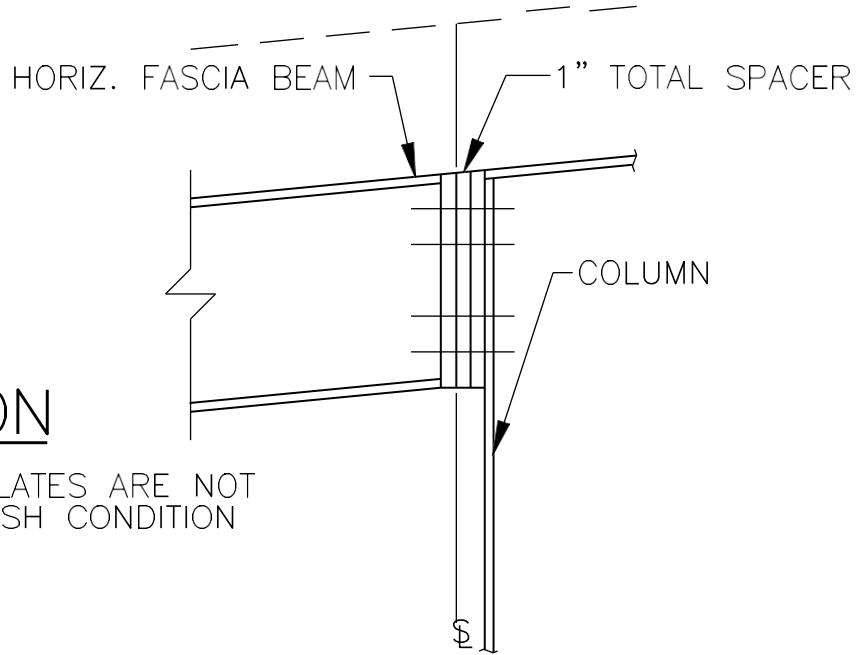
OPEN FASCIA.dwg



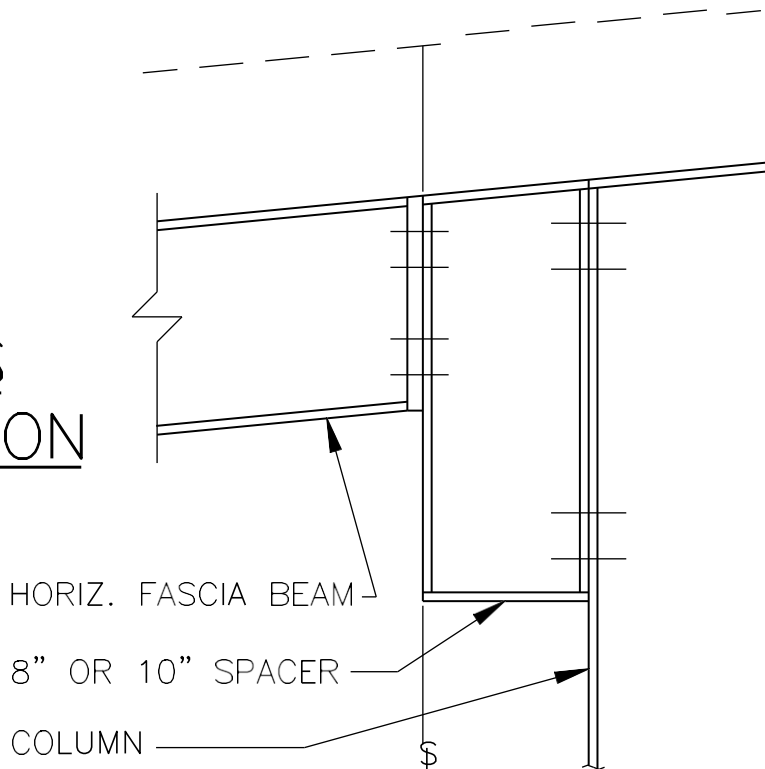
FS0010PE – STRUCTURAL SPACER CONNECTIONS

INSET
CONDITION

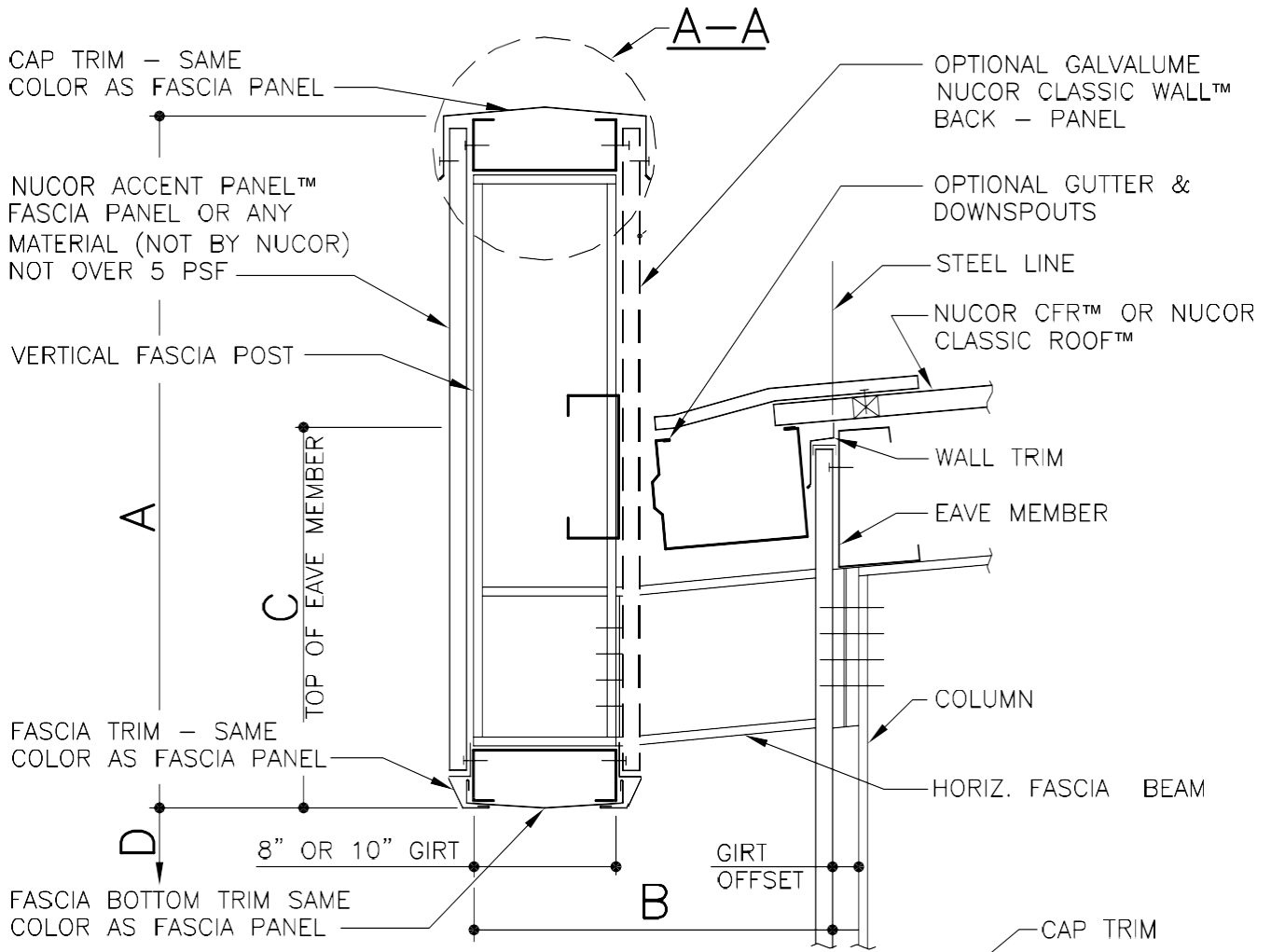
NOTE: SPACER PLATES ARE NOT
REQUIRED @ FLUSH CONDITION



BYPASS
CONDITION

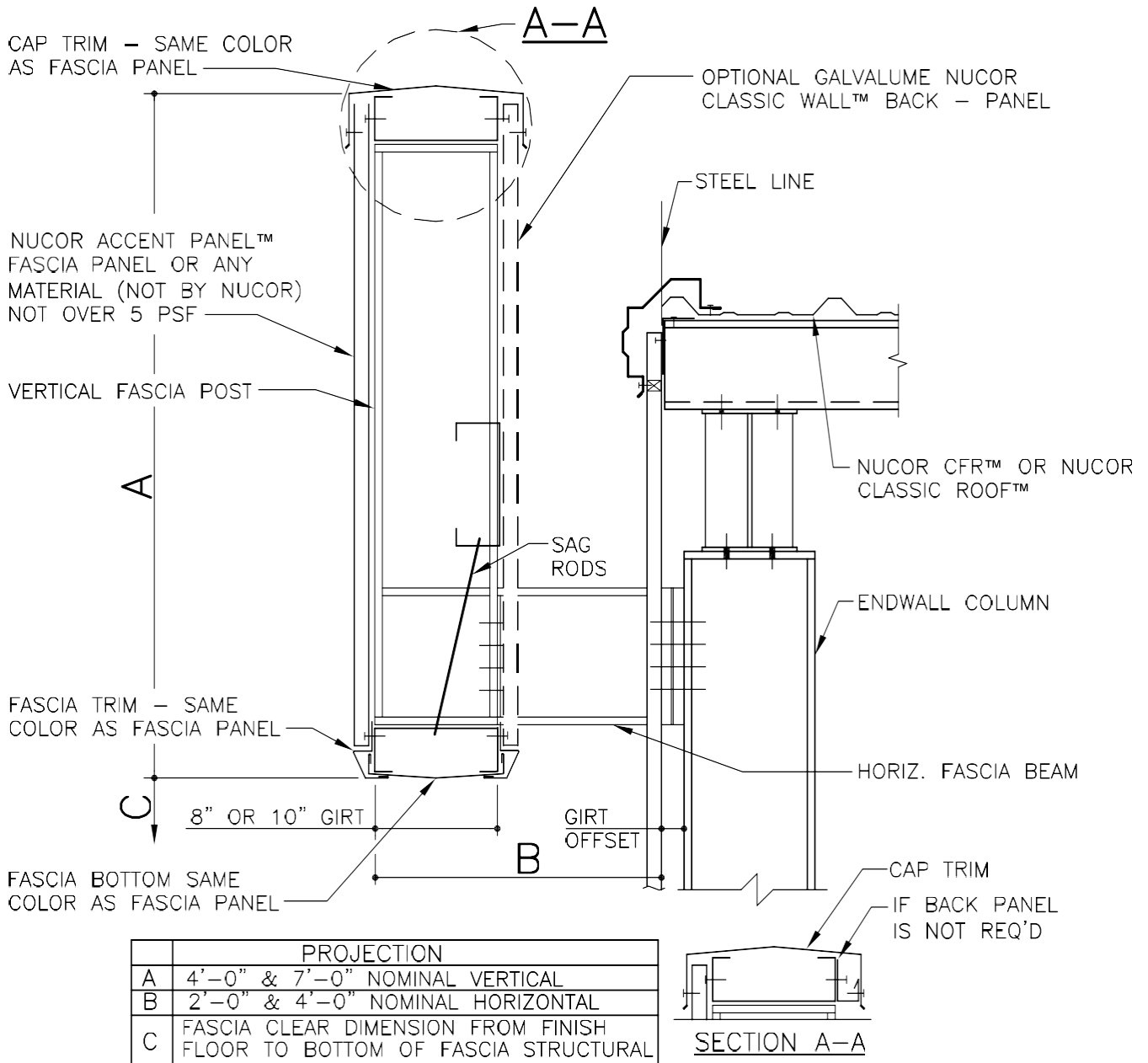


FS0020PE – SIDEWALL DIMENSIONS (OPEN FASCIA)

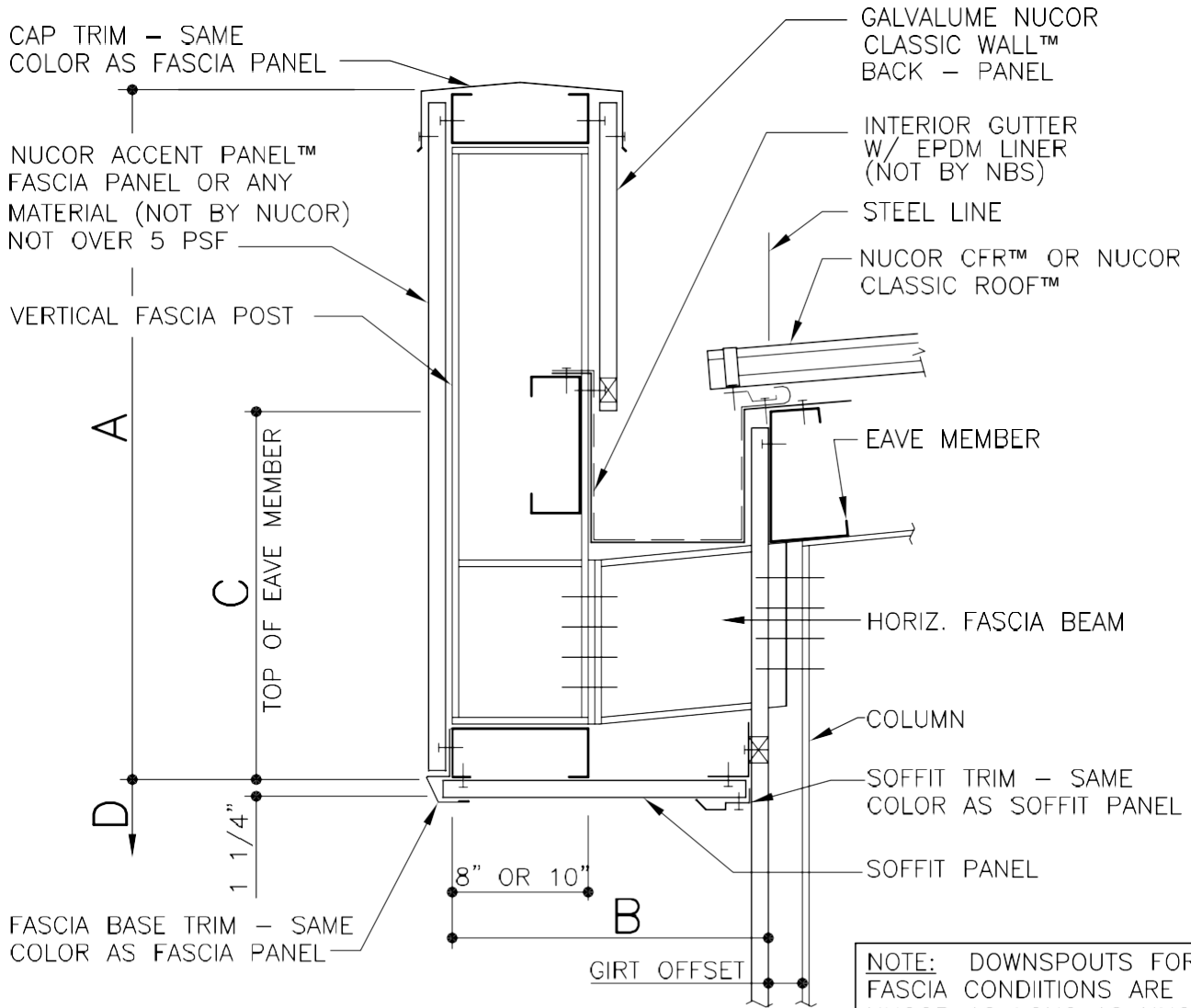


PROJECTION	
A	4'-0" & 7'-0" NOMINAL VERTICAL
B	2'-0" & 4'-0" NOMINAL HORIZONTAL
C	2'-3" @ 2'-0" HORIZONTAL
	2'-9" @ 4'-0" HORIZONTAL
D	FASCIA CLEAR DIMENSION FROM FINISH FLOOR TO BOTTOM OF FASCIA STRUCTURAL

FS0030PE – ENDWALL DIMENSIONS (OPEN FASCIA)



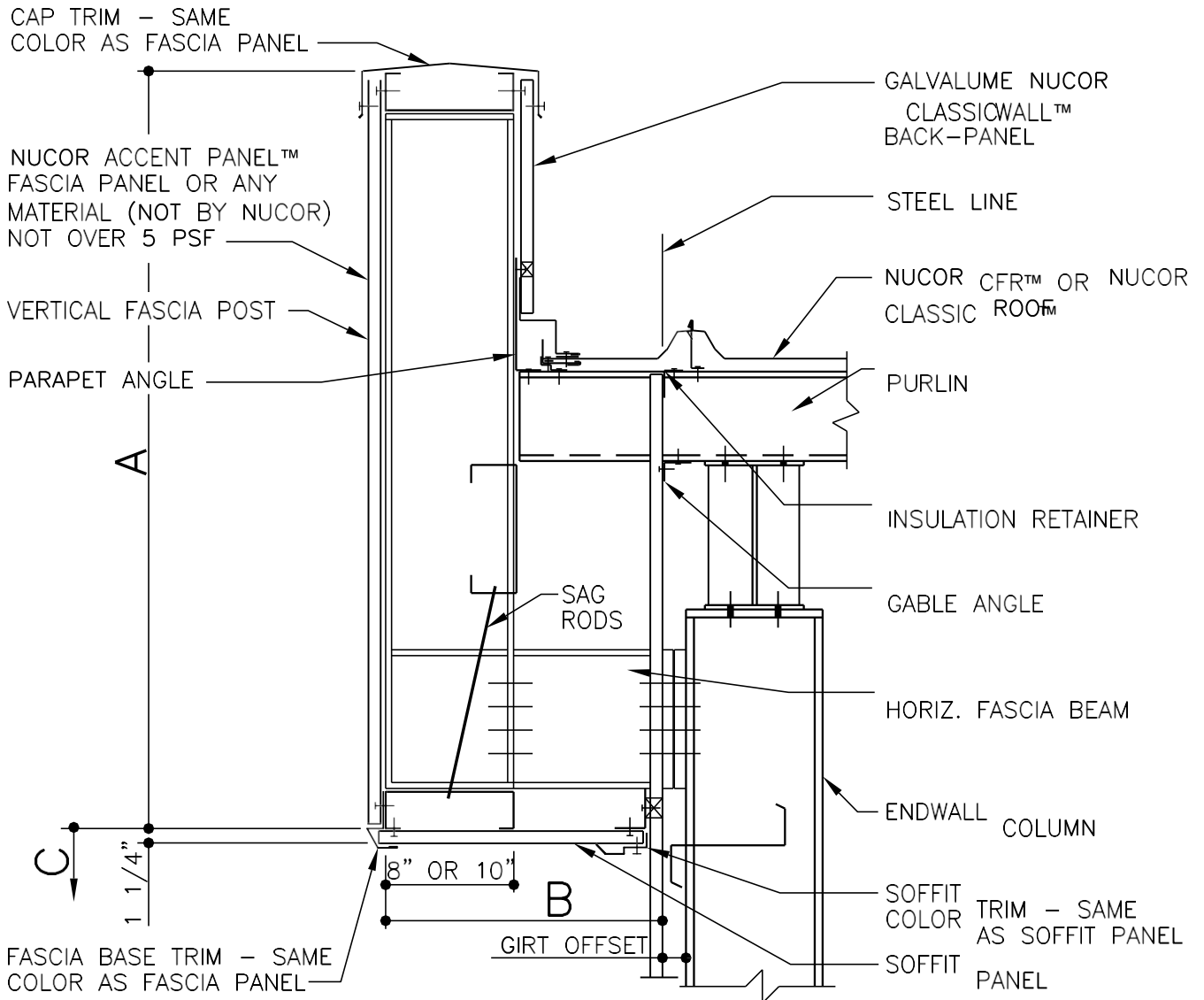
FS0040PE – SIDEWALL DIMENSIONS (CLOSED FASCIA)



NOTE: DOWNSPOUTS FOR FASCIA CONDITIONS ARE BY NUCOR AS LONG AS NUCOR IS SUPPLYING THE GUTTER AND THE GUTTER IS OUTSIDE OF THE BUILDING LINE. DOWNSPOUTS FOR INTERIOR GUTTER SYSTEMS ARE NOT BY NUCOR.

	PROJECTION
A	4'-0" & 7'-0" NOMINAL VERTICAL
B	1'-6" & 4'-0" NOMINAL HORIZONTAL
C	2'-2" @ 1'-6" HORIZONTAL
	2'-9" @ 4'-0" HORIZONTAL
D	FASCIA CLEAR DIMENSION FROM FINSH FLOOR TO BOTTOM OF FASCIA STRUCTURAL

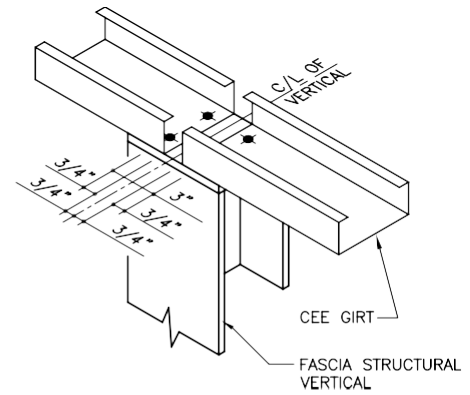
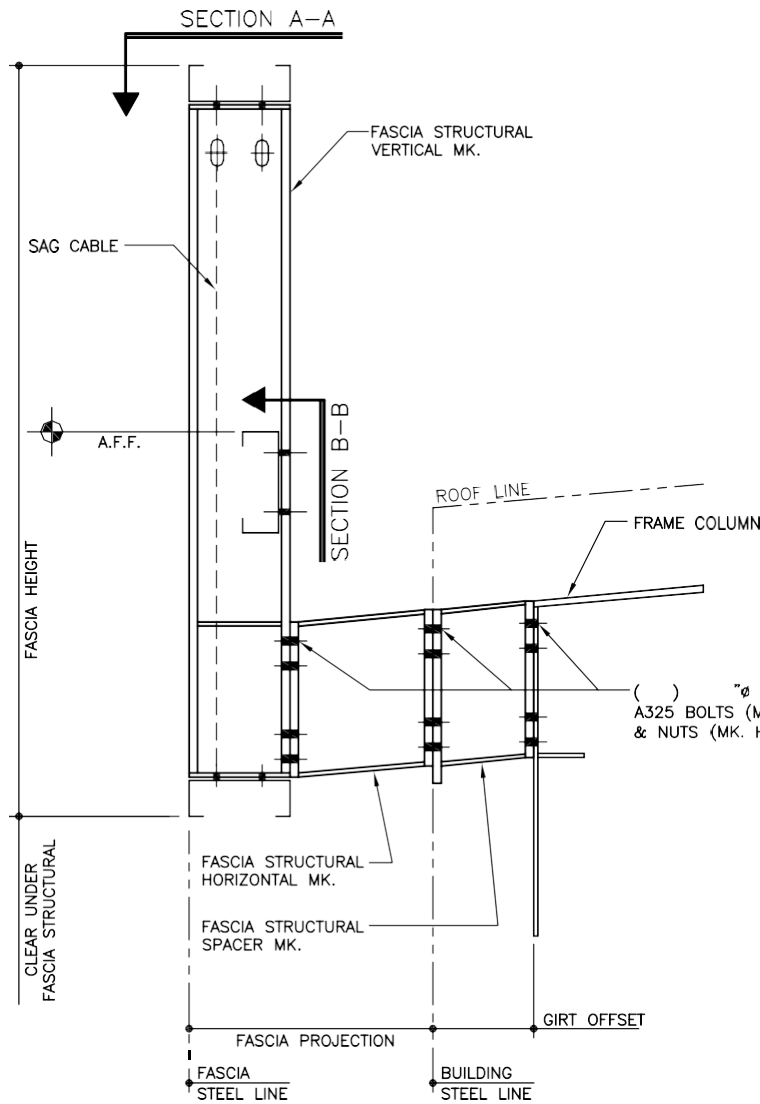
FS0050PE – ENDWALL DIMENSIONS (CLOSED FASCIA)



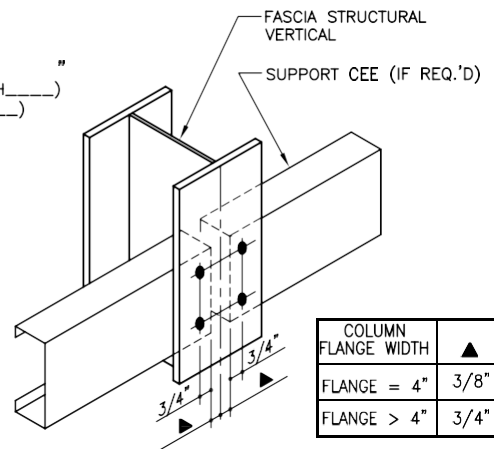
	PROJECTION
A	4'-0" & 7'-0" NOMINAL VERTICAL
B	1'-6" & 4'-0" NOMINAL HORIZONTAL
C	FASCIA CLEAR DIMENSION FROM FINISH FLOOR TO BOTTOM OF FASCIA STRUCTURAL

FASCIA STRUCTURAL @ BYPASS GIRTS

HA1010 – INTERMEDIATE FRAMES @ LOW EAVE



SECTION A-A
TOP SHOWN BOTTOM SIM.
(4) 1/2"φ x 1 1/4" A307 BOLTS (MK. H0500) & NUTS (MK. H0400)



COLUMN FLANGE WIDTH	▲
FLANGE = 4"	3/8"
FLANGE > 4"	3/4"

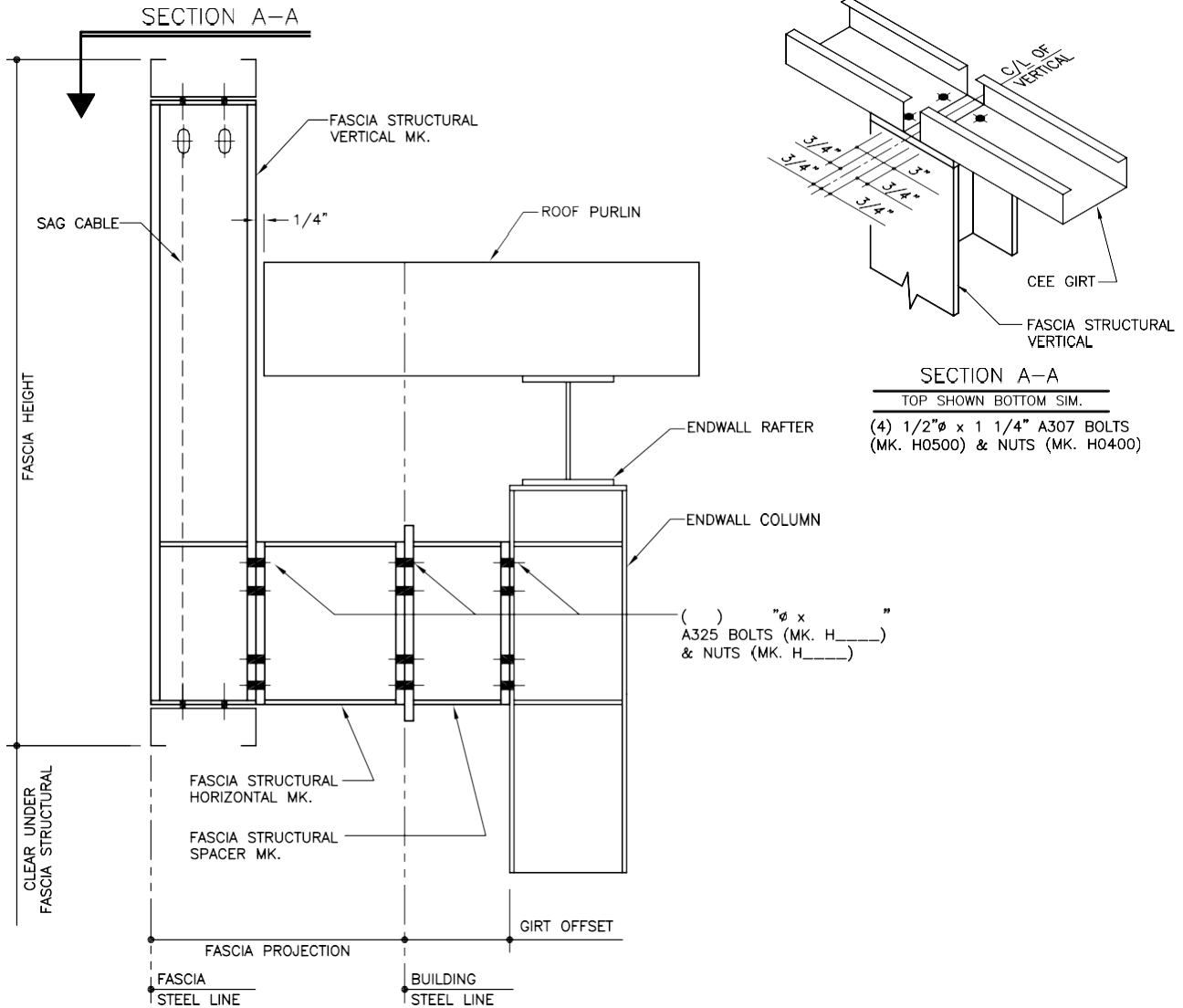
SECTION B-B
(4) 1/2"φ x 1 1/4" A307 THIN HEAD BOLTS (MK. H0515) & NUTS (MK. H0400)

HA1010

SIDEWALL FASCIA STRUCTURAL

INTERMEDIATE FRAMES WITH BYPASS GIRTS
REFERENCE ERECTOR NOTE FOR TYPICAL WASHER REQUIREMENTS

HA1020 – INTERMEDIATE FRAMES @ POST & BEAM ENDWALL (RAKE) - CLOSED FASCIA

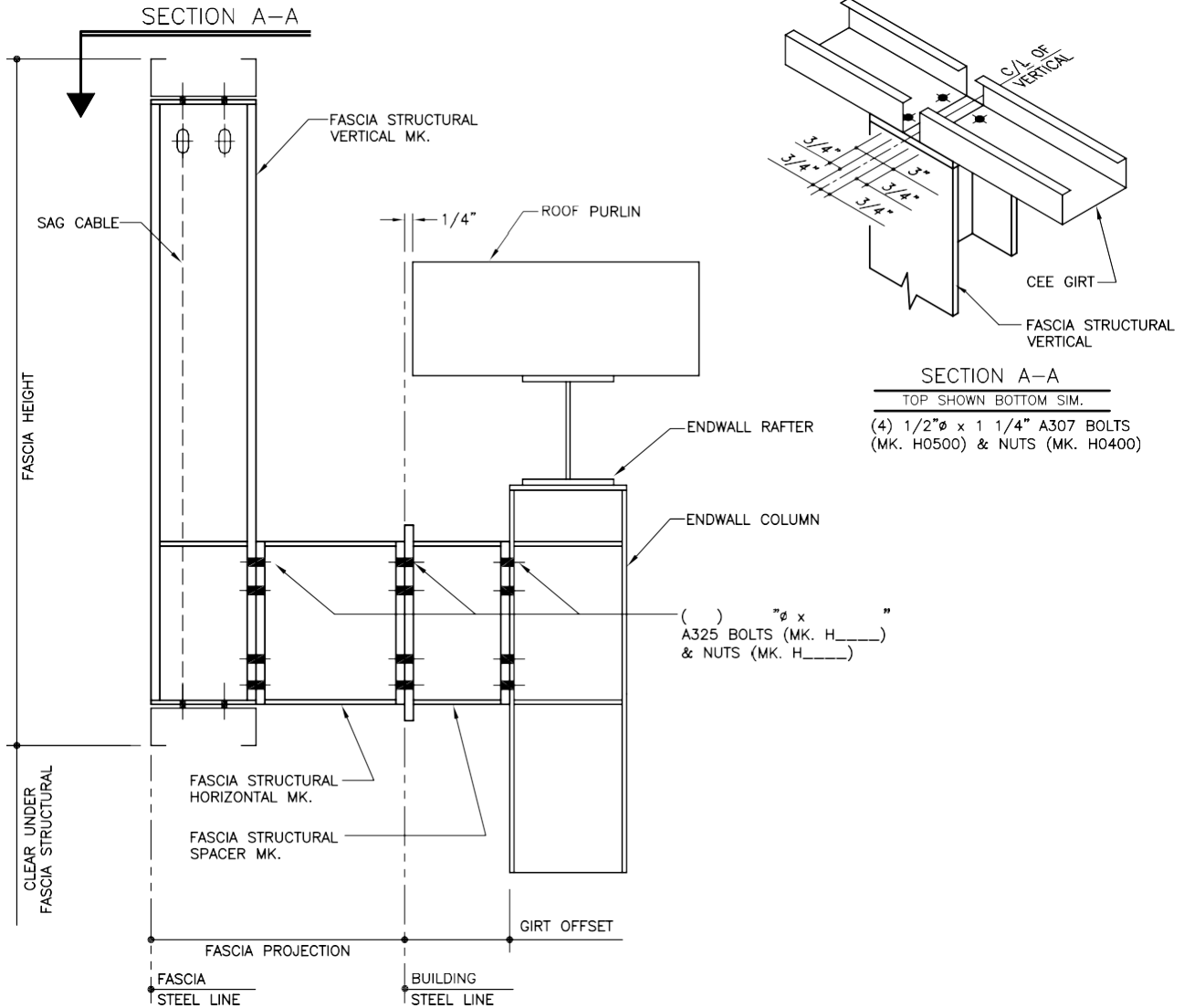


ENDWALL FASCIA STRUCTURAL

POST AND BEAM ENDWALL WITH BYPASS GIRTS
REFERENCE ERECTOR NOTE FOR TYPICAL WASHER REQUIREMENTS

HA1020

HA1025 – INTERMEDIATE FRAMES @ POST & BEAM ENDWALL (RAKE) - OPEN FASCIA

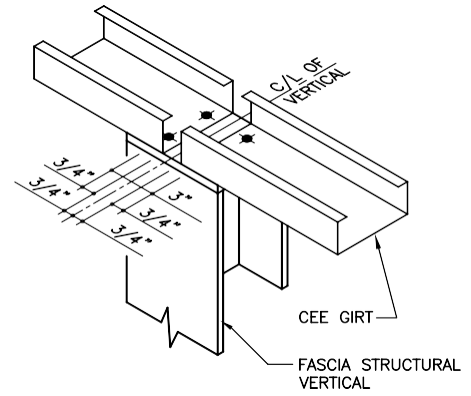
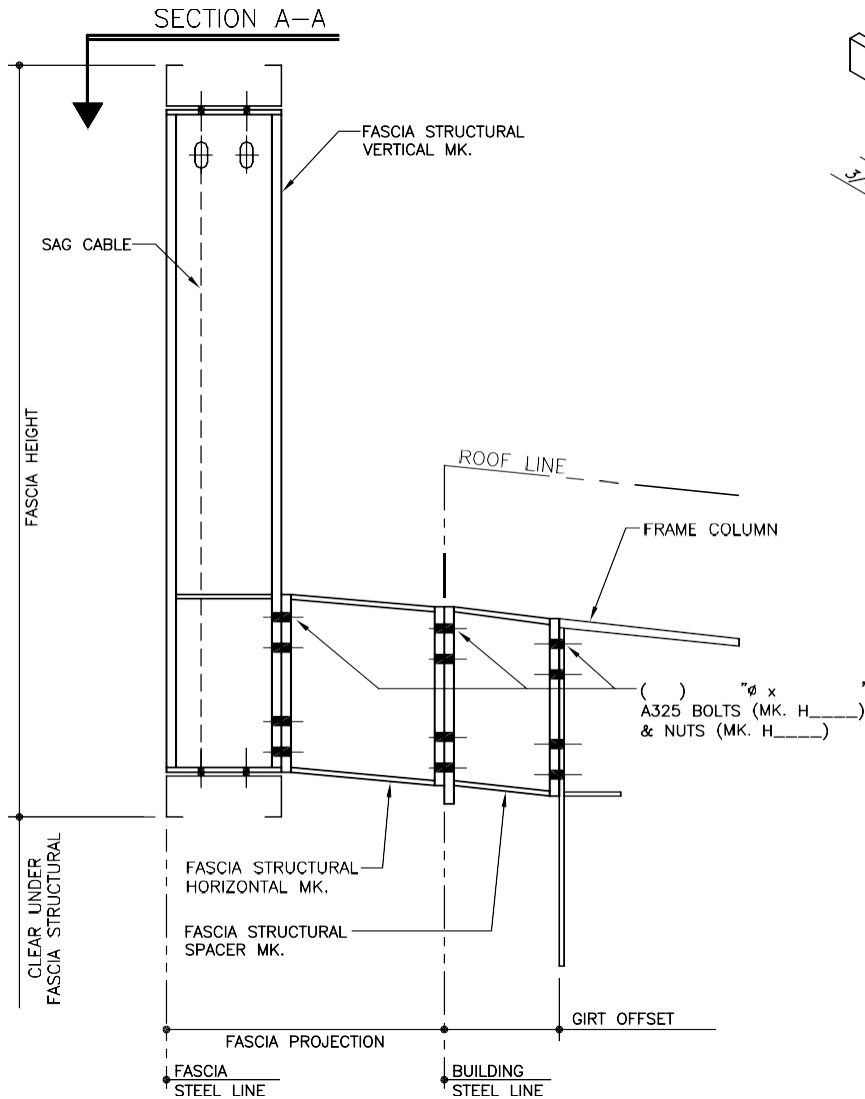


ENDWALL FASCIA STRUCTURAL

POST AND BEAM ENDWALL WITH BYPASS GIRTS
REFERENCE ERECTOR NOTE FOR TYPICAL WASHER REQUIREMENTS

HA1020

HA1030 – INTERMEDIATE FRAMES @ HIGH EAVE



SECTION A-A
TOP SHOWN BOTTOM SIM.
(4) 1/2"φ x 1 1/4" A307 BOLTS
(MK. H0500) & NUTS (MK. H0400)

SIDEWALL FASCIA STRUCTURAL

INTERMEDIATE FRAMES WITH BYPASS GIRTS
REFERENCE ERECTOR NOTE FOR TYPICAL WASHER REQUIREMENTS

HA1030

HA1050 – HORIZONTAL SPACER ERECTOR NOTE

ERECTOR NOTE

**PLEASE READ BEFORE ERECTING FASCIA
HORIZONTAL AND VERTICAL MEMBERS.**

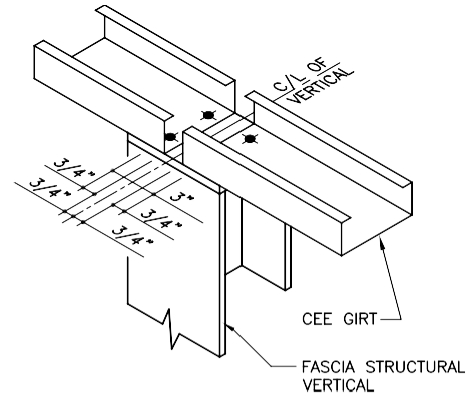
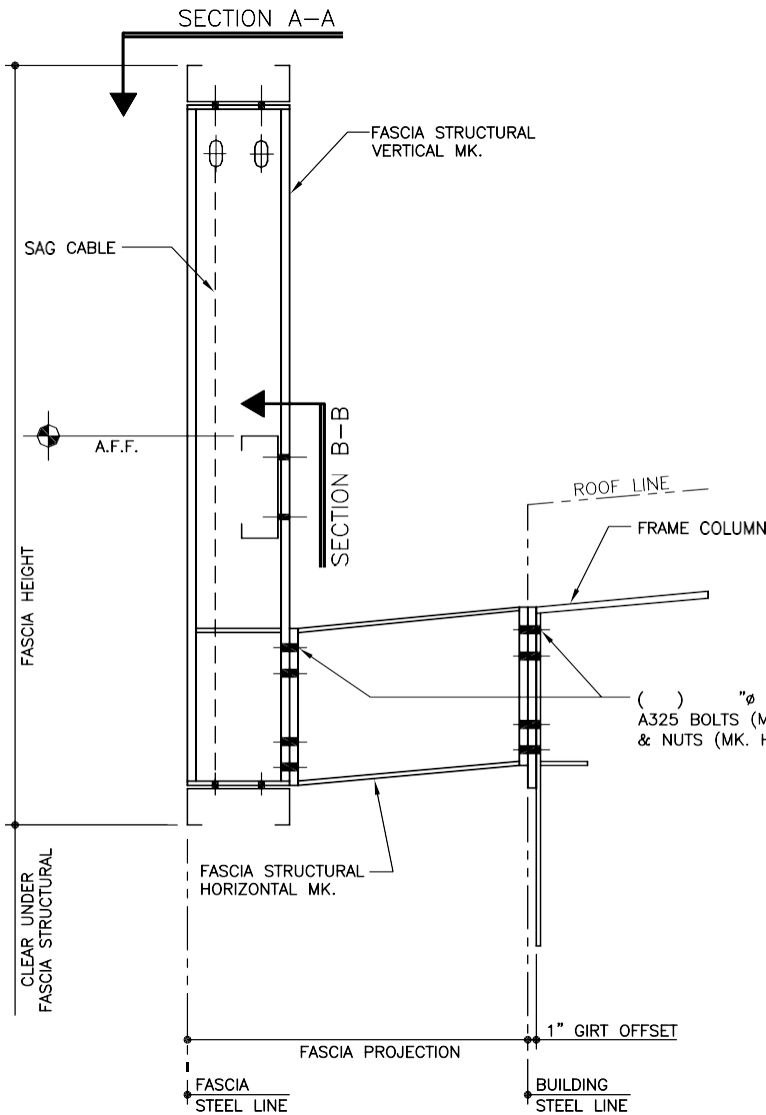
NOTE: SPACERS ARE PROVIDED SO THAT THE WALL PANELS DO NOT HAVE TO BE NOTCHED TO FIT AROUND THE HORIZONTAL MEMBER. THIS ALLOWS THE FASCIA HORIZONTAL AND VERTICAL MEMEBERS TO BE ERECTED AFTER THE WALL PANEL IS ERECTED. THIS CAN BE DONE BY CUTTING OUT THE WALL PANEL IN THE RECTANGULAR SIZE OF THE SPACER END PLATE, OR BY FLATTENING THE PANEL RIB BETWEEN THE SPACER AND THE HORIZONTAL MEMBER.

HA1050

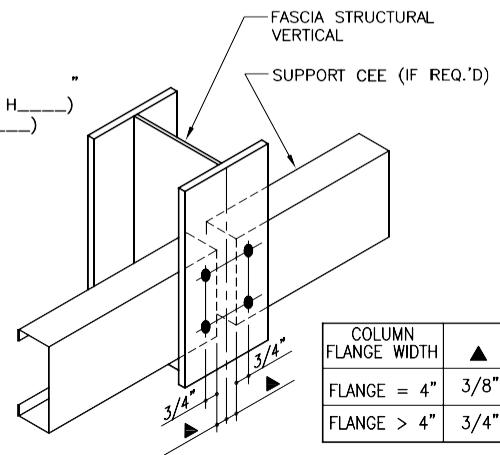
HORIZONTAL SPACER DETAIL

FASCIA STRUCTURAL @ INSET GIRTS

HB1010 – INTERMEDIATE FRAMES @ LOW EAVE



SECTION A-A
TOP SHOWN BOTTOM SIM.
(4) 1/2"φ x 1 1/4" A307 BOLTS
(MK. H0500) & NUTS (MK. H0400)



SECTION B-B
(4) 1/2"φ x 1 1/4" A307 THIN HEAD
BOLTS (MK. H0515) & NUTS (MK. H0400)

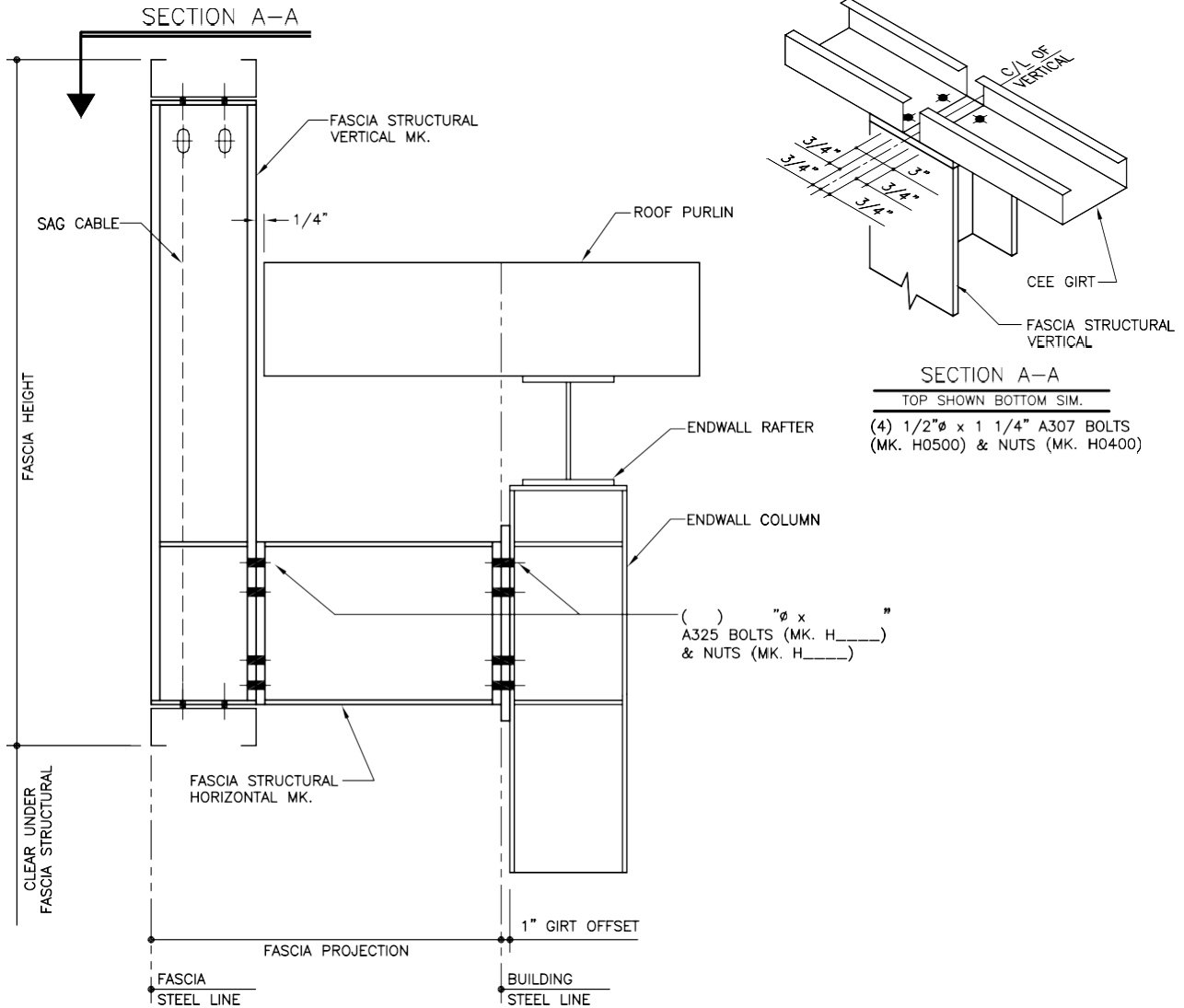
COLUMN FLANGE WIDTH	▲
FLANGE = 4"	3/8"
FLANGE > 4"	3/4"

SIDEWALL FASCIA STRUCTURAL

INTERMEDIATE FRAMES WITH INSET GIRTS
REFERENCE ERECTOR NOTE FOR TYPICAL WASHER REQUIREMENTS

HB1010

HB1020 – INTERMEDIATE FRAMES @ POST & BEAM ENDWALL (RAKE) - CLOSED FASCIA

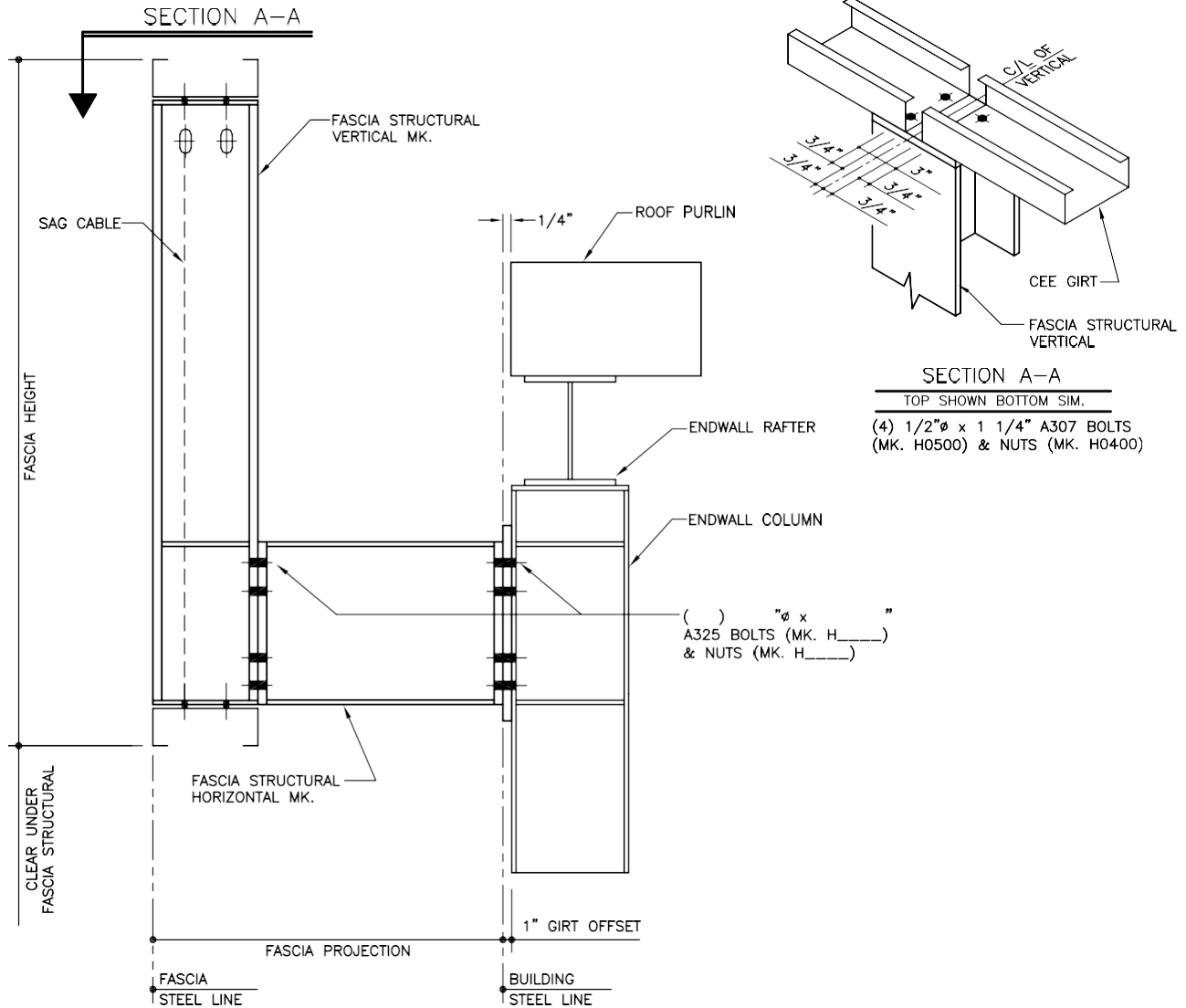


ENDWALL FASCIA STRUCTURAL

POST AND BEAM ENDWALL WITH INSET GIRTS
REFERENCE ERECTOR NOTE FOR TYPICAL WASHER REQUIREMENTS

HB1020

HB1025 – INTERMEDIATE FRAMES @ POST & BEAM ENDWALL (RAKE) - OPEN FASCIA

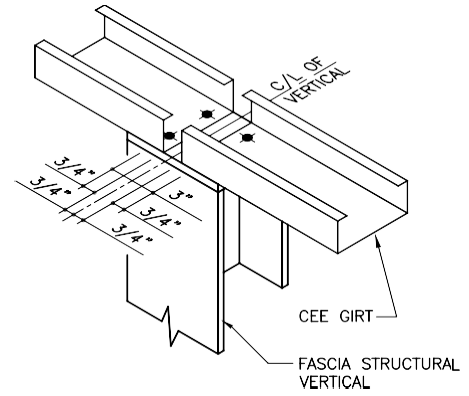
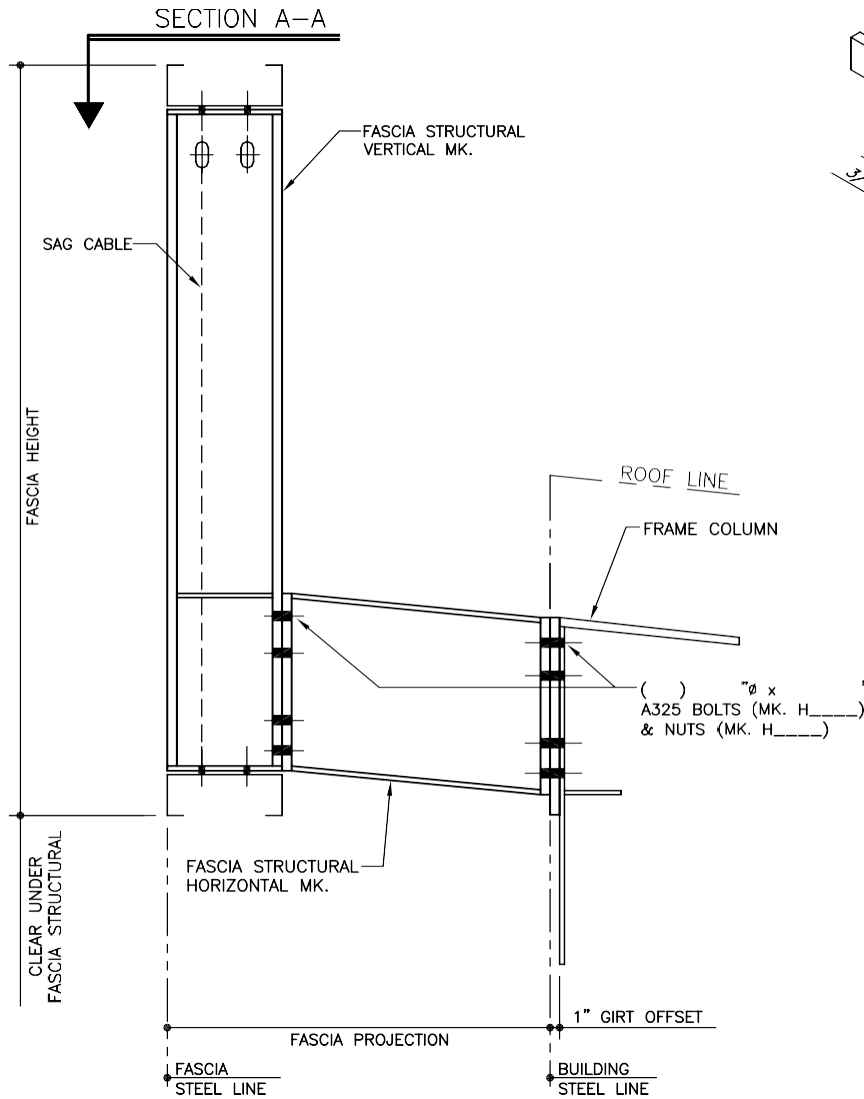


ENDWALL FASCIA STRUCTURAL

POST AND BEAM ENDWALL WITH INSET GIRTS
REFERENCE ERECTOR NOTE FOR TYPICAL WASHER REQUIREMENTS

HB1020

HB1030 – INTERMEDIATE FRAMES @ HIGH EAVE



SECTION A-A
TOP SHOWN BOTTOM SIM.
(4) 1/2"φ x 1 1/4" A307 BOLTS
(MK. H0500) & NUTS (MK. H0400)

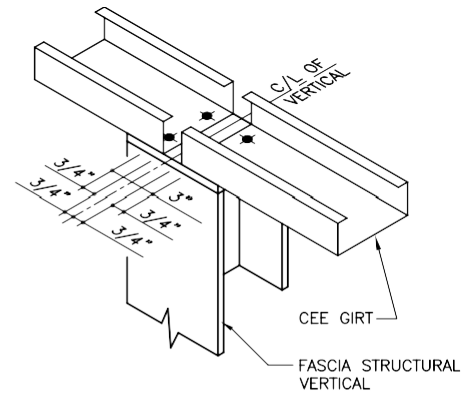
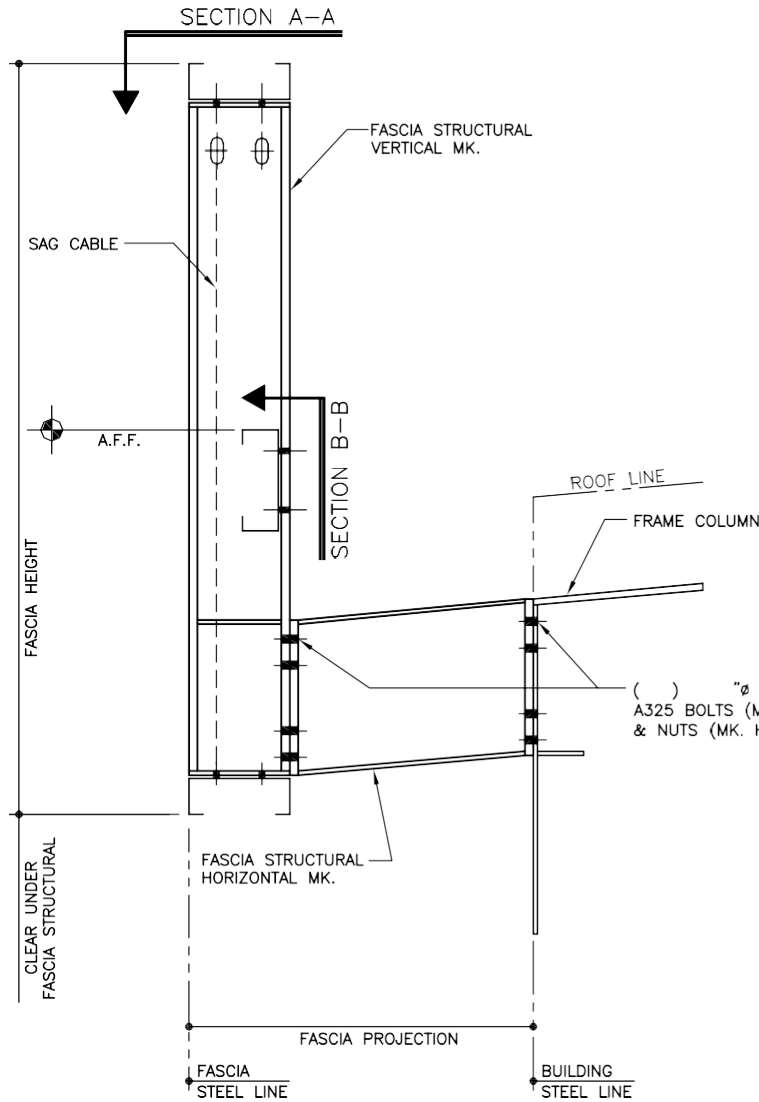
SIDEWALL FASCIA STRUCTURAL

INTERMEDIATE FRAMES WITH INSET GIRTS
REFERENCE ERECTOR NOTE FOR TYPICAL WASHER REQUIREMENTS

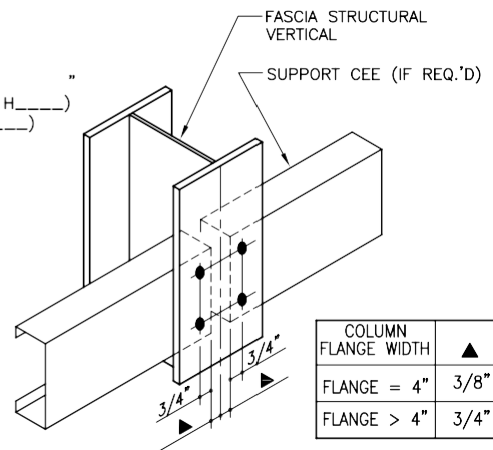
HB1030

FASCIA STRUCTURAL @ FLUSH GIRTS

HC1010 – INTERMEDIATE FRAMES @ LOW EAVE



SECTION A-A
TOP SHOWN BOTTOM SIM.
(4) 1/2"φ x 1 1/4" A307 BOLTS
(MK. H0500) & NUTS (MK. H0400)



COLUMN FLANGE WIDTH	▲
FLANGE = 4"	3/8"
FLANGE > 4"	3/4"

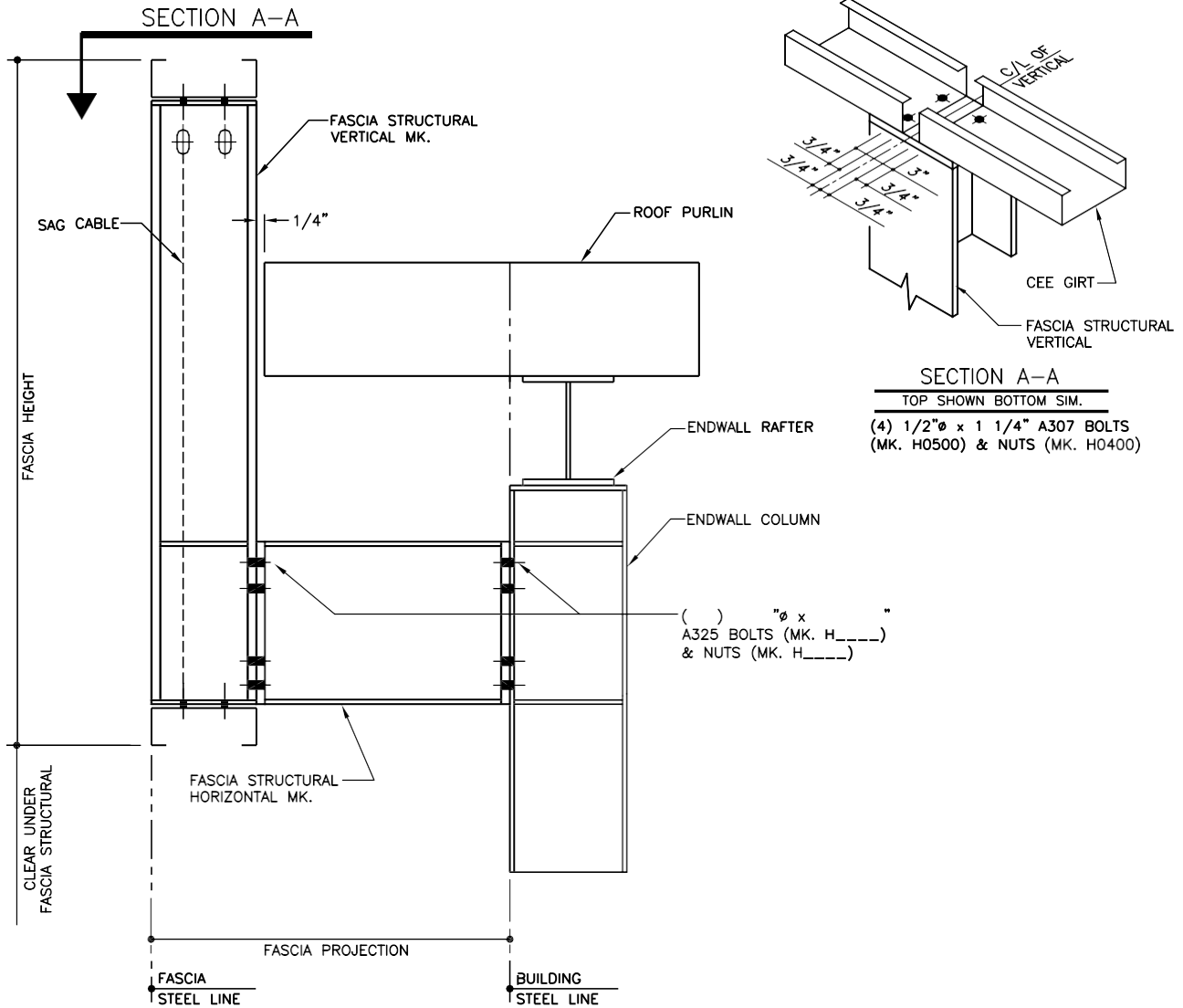
SECTION B-B
(4) 1/2"φ x 1 1/4" A307 THIN HEAD
BOLTS (MK. H0515) & NUTS (MK. H0400)

SIDEWALL FASCIA STRUCTURAL

INTERMEDIATE FRAMES WITH FLUSH GIRTS
REFERER ERECTOR NOTE FOR TYPICAL WASHER REQUIREMENTS

HC1010

HC1020 – INTERMEDIATE FRAMES @ POST & BEAM ENDWALL (RAKE) - CLOSED FASICA

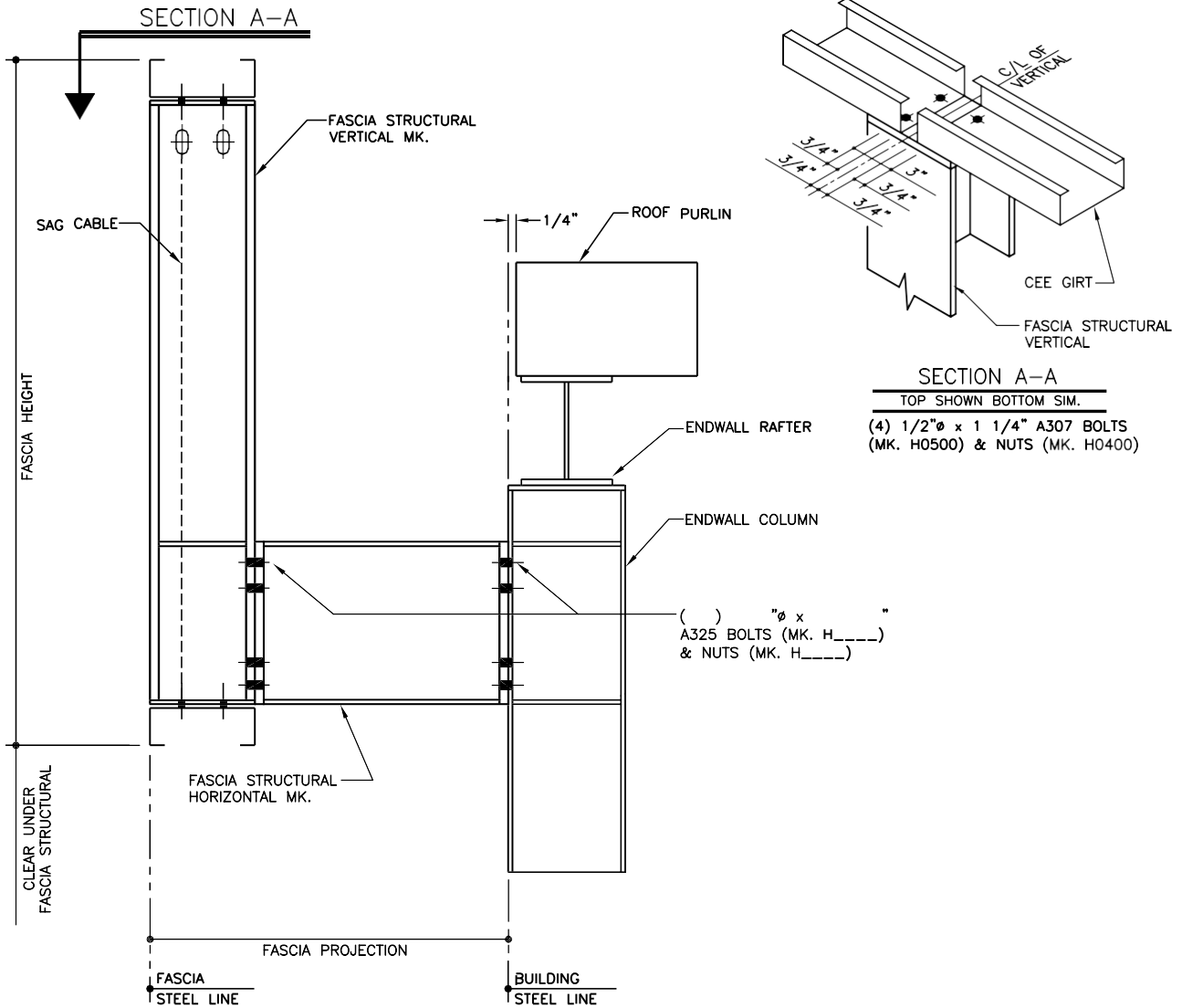


ENDWALL FASCIA STRUCTURAL

POST AND BEAM ENDWALL WITH FLUSH GIRTS
REFERENCE ERECTOR NOTE FOR TYPICAL WASHER REQUIREMENTS

HC1020

HC1025 – INTERMEDIATE FRAMES @ POST & BEAM ENDWALL (RAKE) - OPEN FASCIA

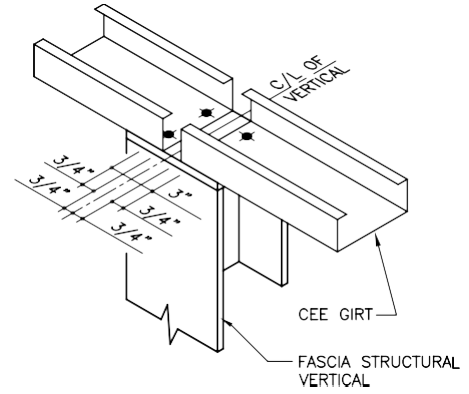
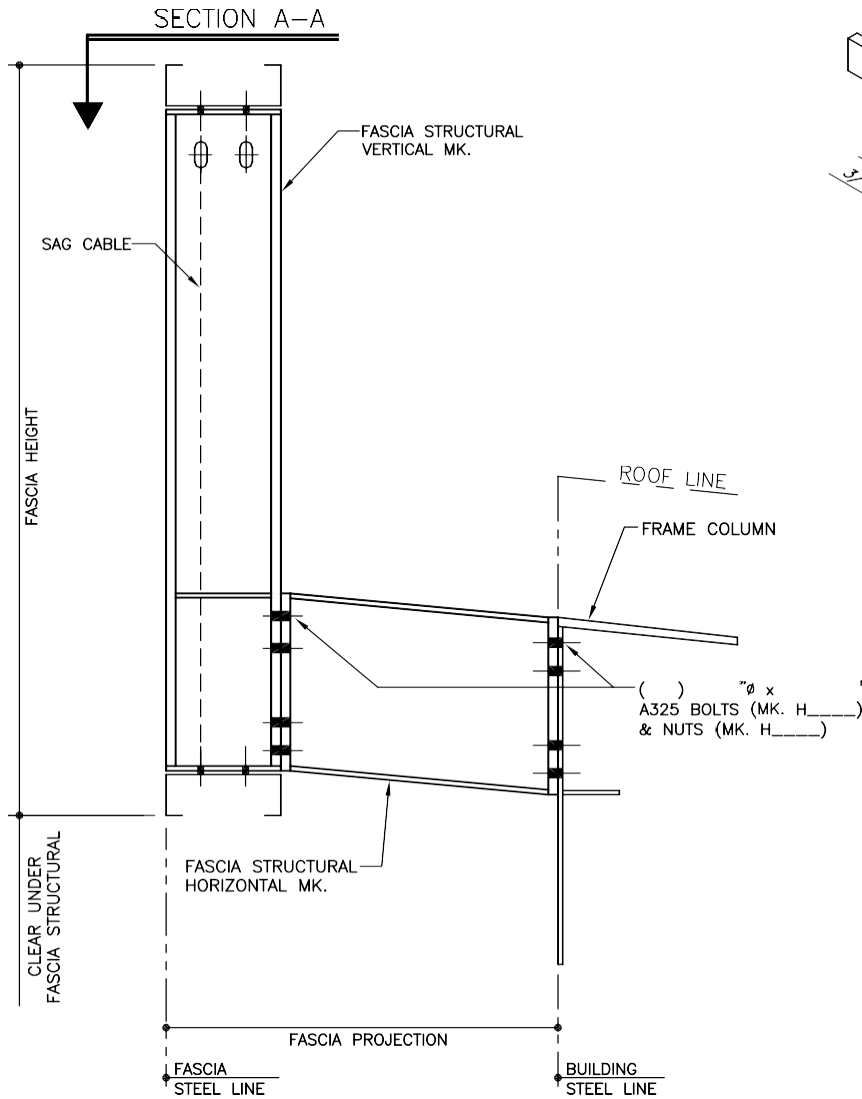


ENDWALL FASCIA STRUCTURAL

POST AND BEAM ENDWALL WITH FLUSH GIRTS
REFERENCE ERECTOR NOTE FOR TYPICAL WASHER REQUIREMENTS

HC1025

HC1030 – INTERMEDIATE FRAMES @ HIGH EAVE



SECTION A-A
TOP SHOWN BOTTOM SIM.
(4) 1/2"φ x 1 1/4" A307 BOLTS
(MK. H0500) & NUTS (MK. H0400)

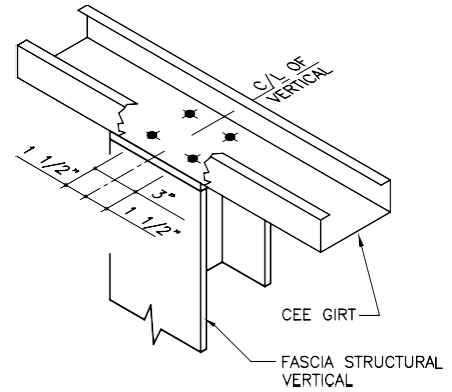
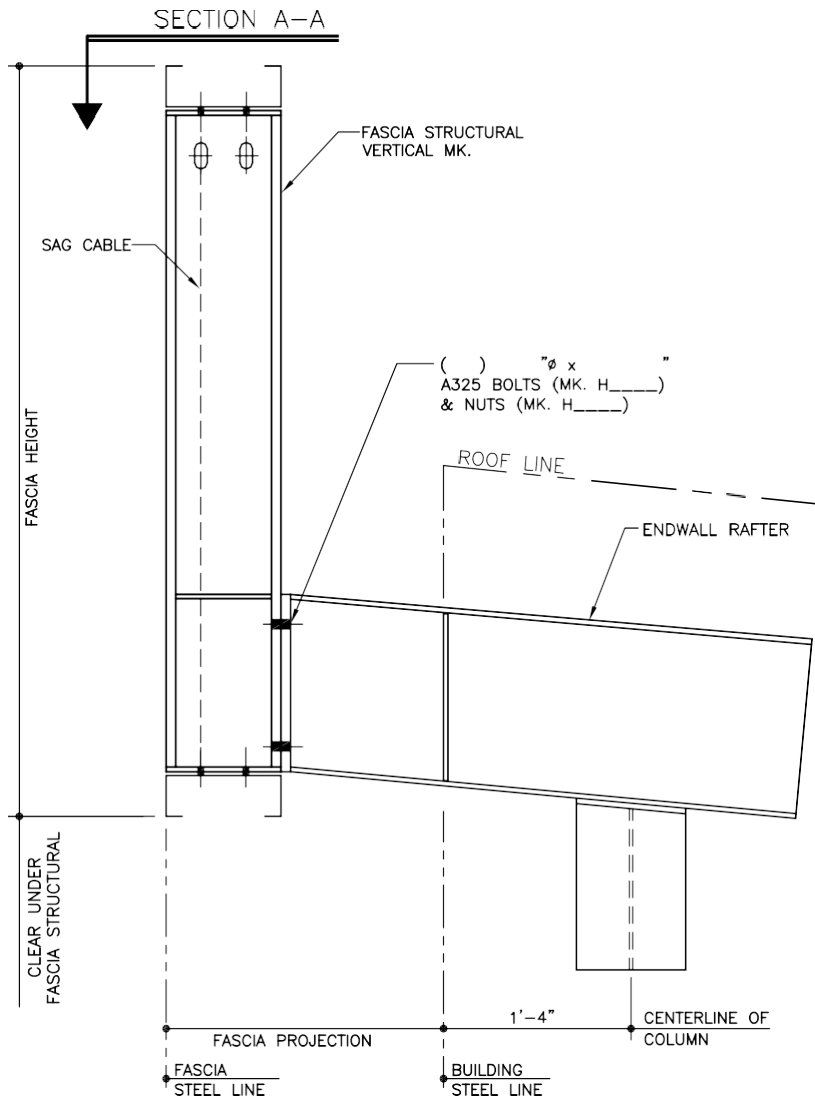
SIDEWALL FASCIA STRUCTURAL

INTERMEDIATE FRAMES WITH FLUSH GIRTS
REFERENCE ERECTOR NOTE FOR TYPICAL WASHER REQUIREMENTS

HC1030

FASCIA STRUCTURAL @ POST & BEAM ENDWALL

HD1010 – END FRAME @ HIGH EAVE



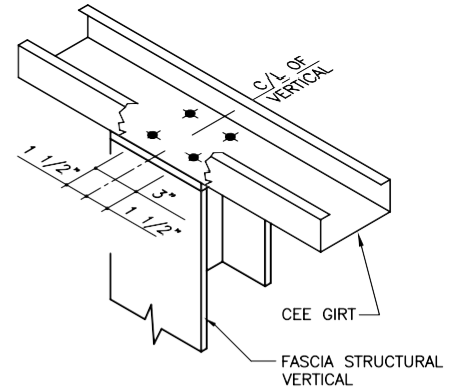
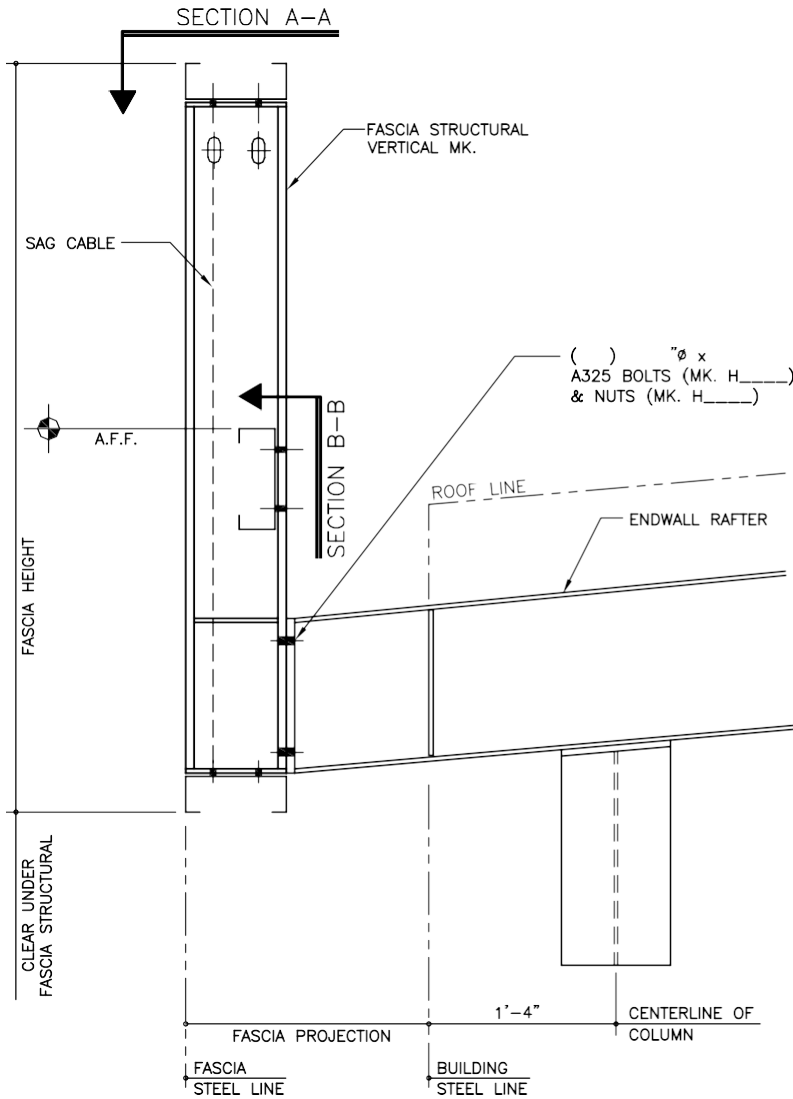
SECTION A-A
TOP SHOWN BOTTOM SIM.
(4) 1/2"Ø x 1 1/4" A307 BOLTS
(MK. H0500) & NUTS (MK. H0400)

SIDEWALL FASCIA STRUCTURAL

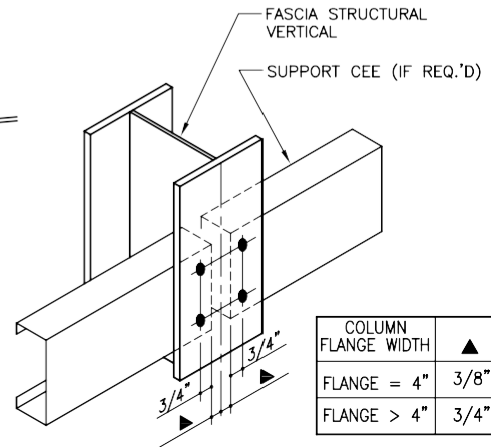
POST AND BEAM ENDWALL
REFERENCE ERECTOR NOTE FOR TYPICAL WASHER REQUIREMENTS

HD1010

HD1020 – END FRAME @ LOW EAVE



SECTION A-A
TOP SHOWN BOTTOM SIM.
(4) 1/2"φ x 1 1/4" A307 BOLTS (MK. H0500) & NUTS (MK. H0400)



SECTION B-B
(4) 1/2"φ x 1 1/4" A307 THIN HEAD BOLTS (MK. H0515) & NUTS (MK. H0400)

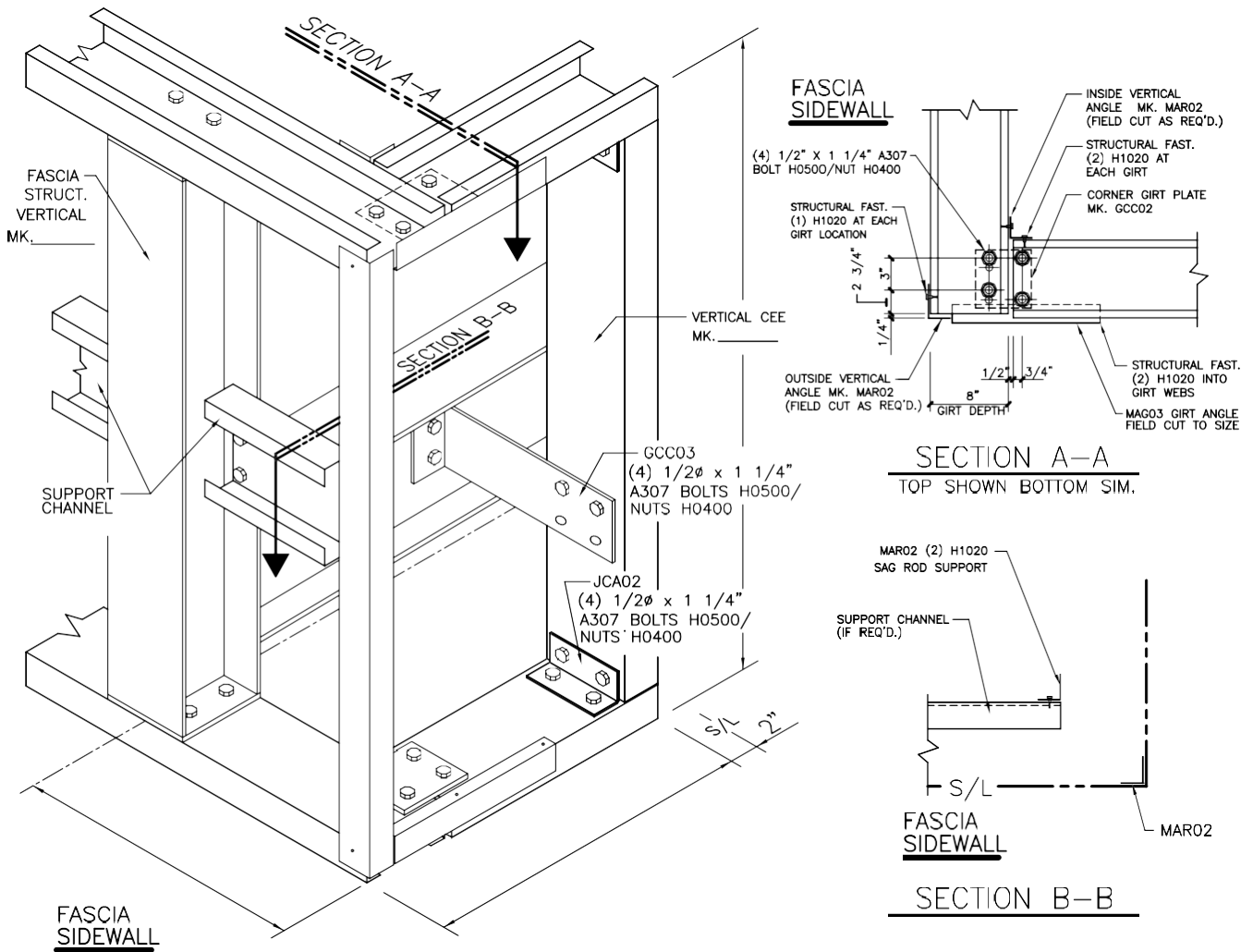
SIDEWALL FASCIA STRUCTURAL

POST AND BEAM ENDWALL
REFERENCE ERECTOR NOTE FOR TYPICAL WASHER REQUIREMENTS

HD1020

FASCIA STRUCTURAL @ CORNERS

HE1010 – RETURN TO MAIN BUILDING



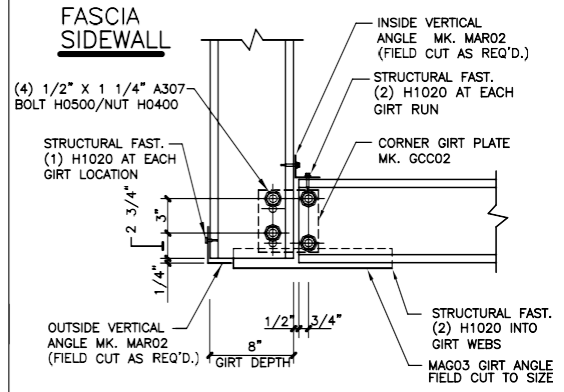
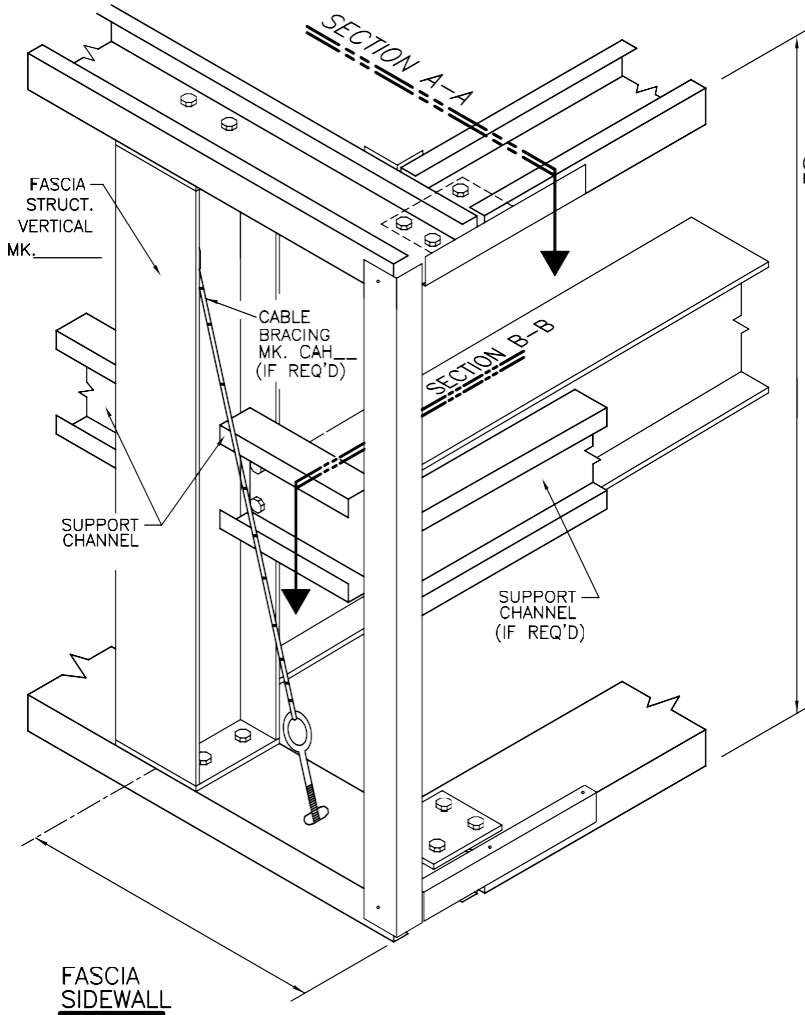
FASCIA STRUCTURAL DETAIL

FASCIA RETURN TO MAIN BUILDING

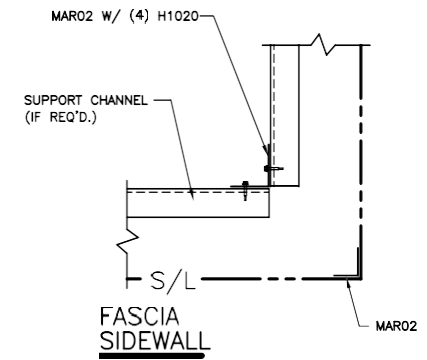
REFERENCE ERECTOR NOTE FOR TYPICAL WASHER REQUIREMENTS

HE1010

HE1020 – OUTSIDE CORNER



SECTION A-A
TOP SHOWN BOTTOM SIM.



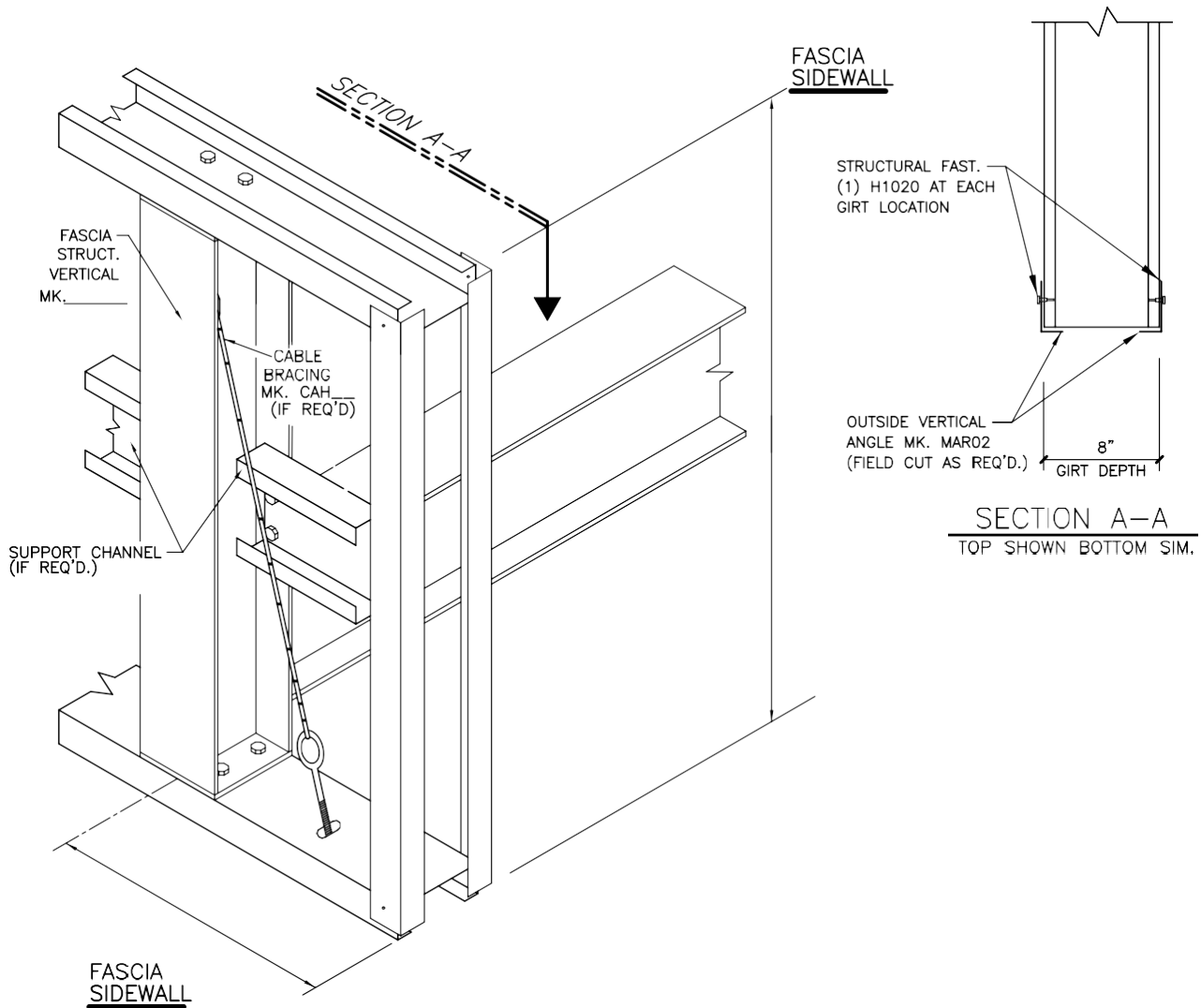
SECTION B-B

FASCIA STRUCTURAL DETAIL

OUTSIDE FASCIA CORNER AT ENDWALL
REFERENCE ERECTOR NOTE FOR TYPICAL WASHER REQUIREMENTS

HE1020

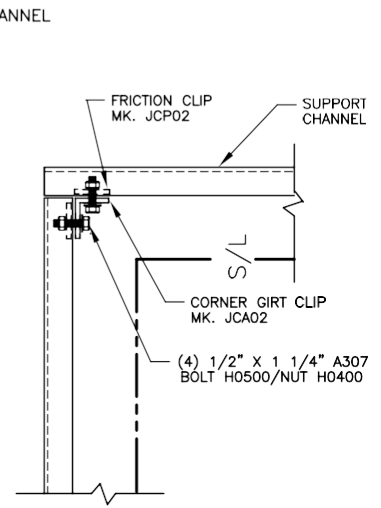
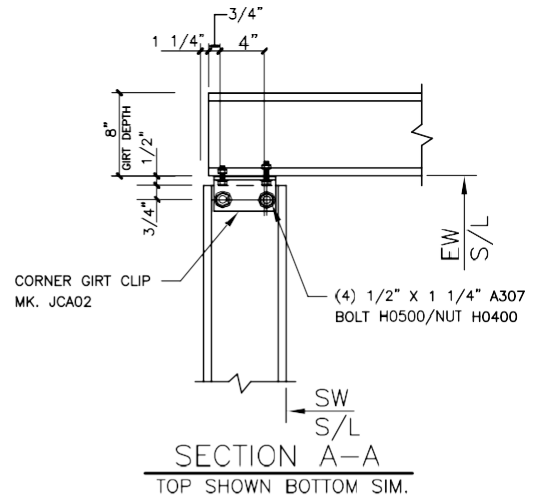
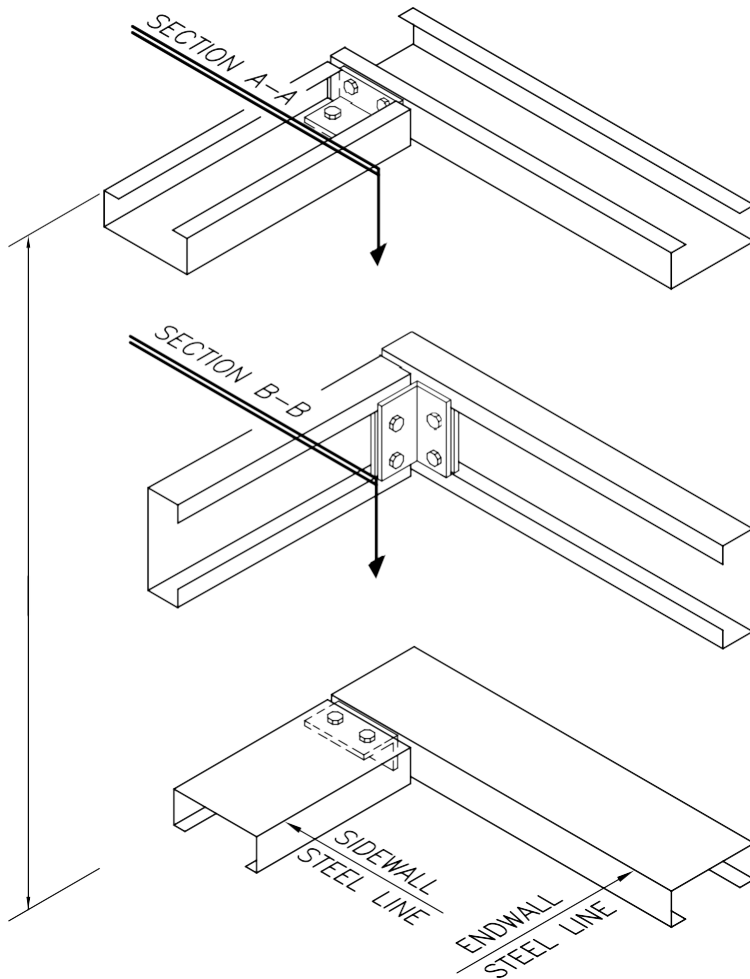
HE1030 – CORNER @ SIDEWALL ELEVATION



FASCIA STRUCTURAL DETAIL
 OUTSIDE FASCIA CORNER AT OPEN FASCIA
 REFERENCE ERECTOR NOTE FOR TYPICAL WASHER REQUIREMENTS

HE1030

HE1040 – INSIDE CORNER DETAIL @ SW



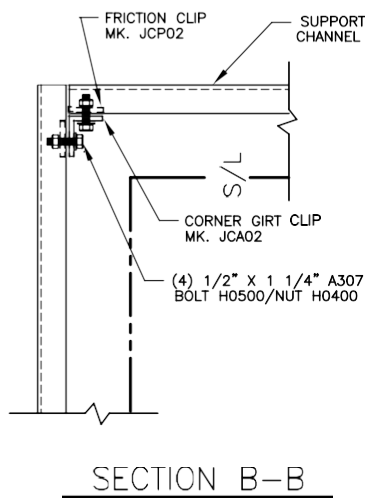
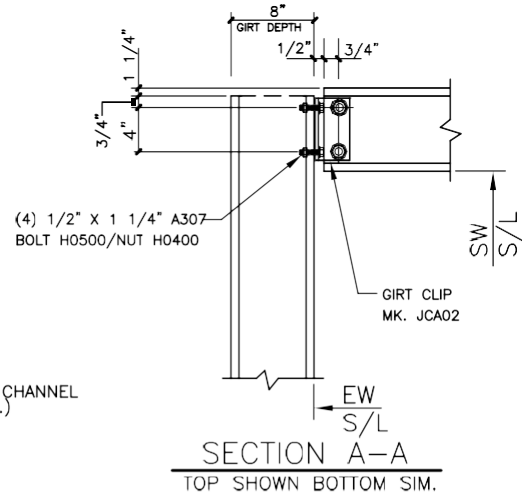
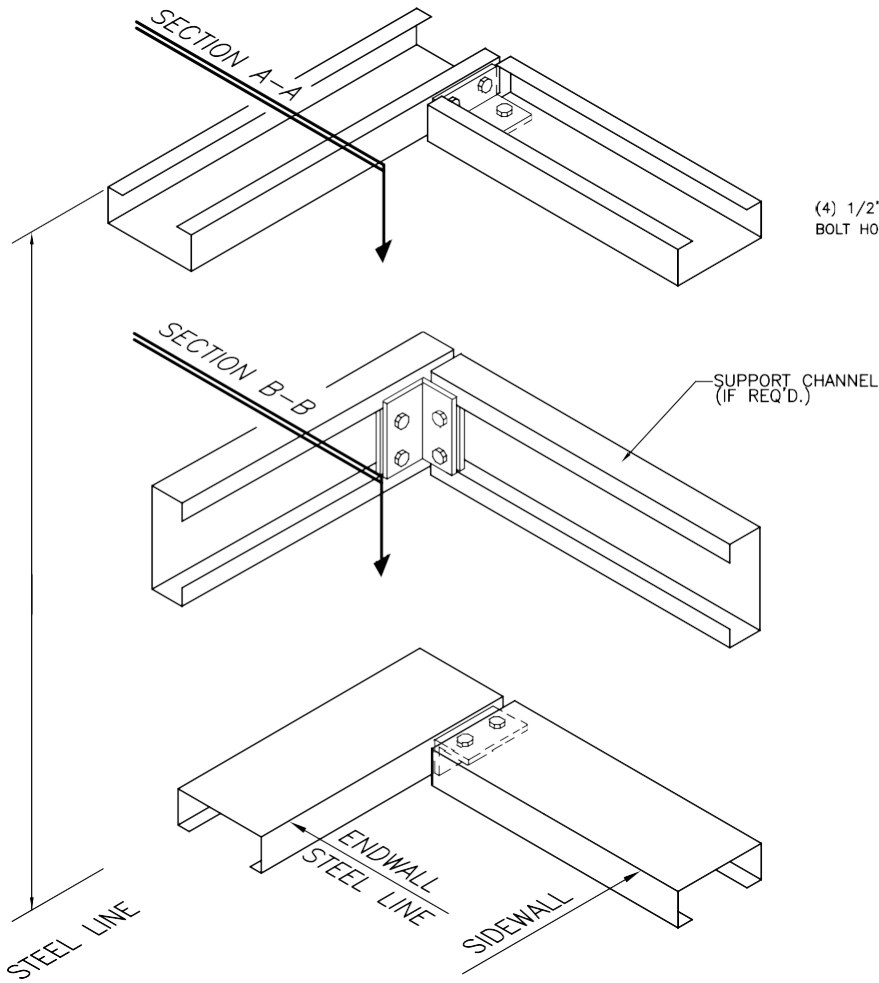
FASCIA STRUCTURAL DETAIL

INSIDE FASCIA CORNER
REFERENCE ERECTOR NOTE FOR TYPICAL WASHER REQUIREMENTS

SECTION B-B

HE1040

HE1050 – INSIDE CORNER DETAIL @ EW

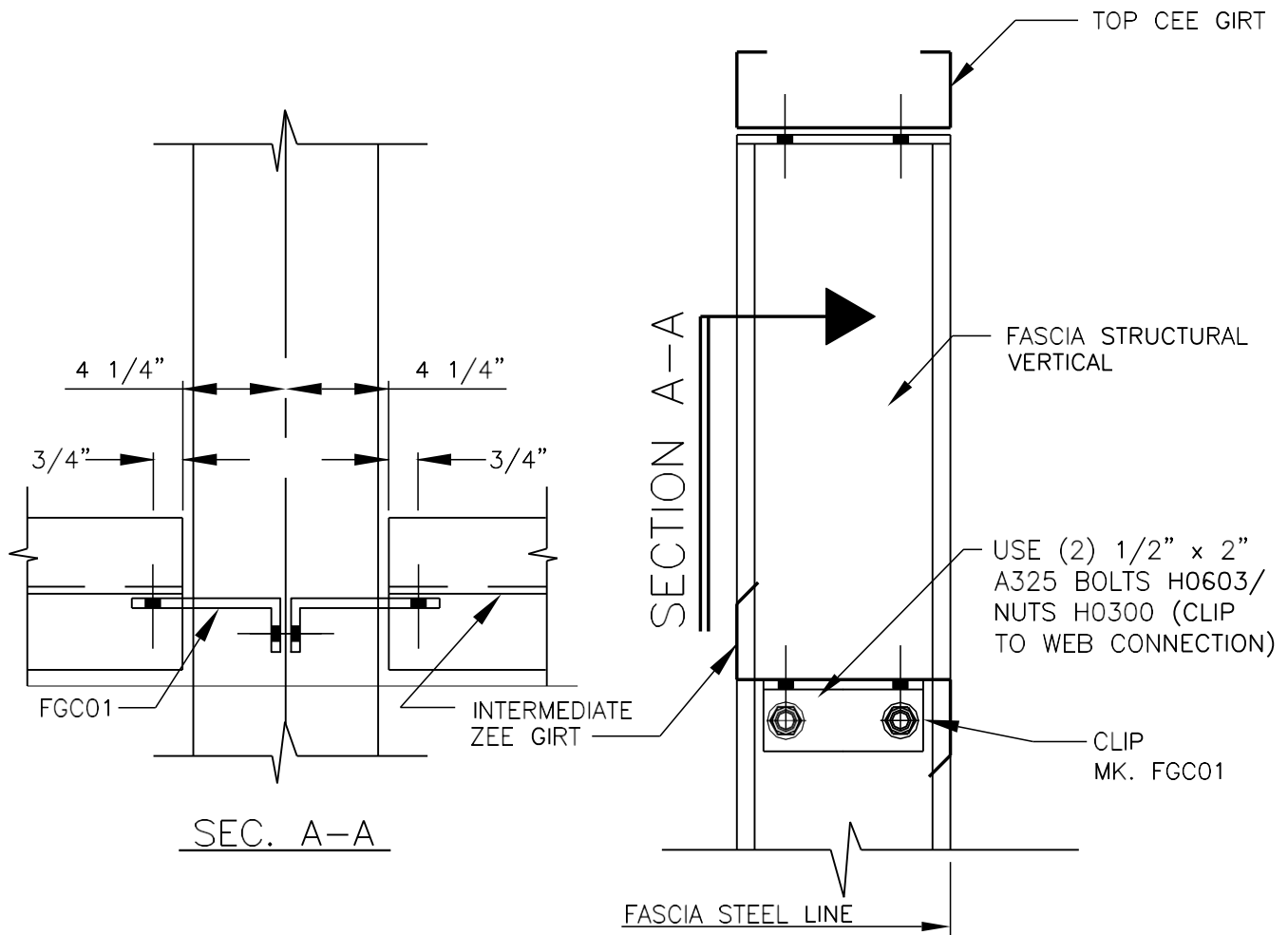


FASCIA STRUCTURAL DETAIL
INSIDE FASCIA CORNER
REFERENCE ERECTOR NOTE FOR TYPICAL WASHER REQUIREMENTS

HE1050

FASCIA STRUCTURAL @ SECONDARY MEMBERS

HF1010 – INTERMEDIATE GIRTS

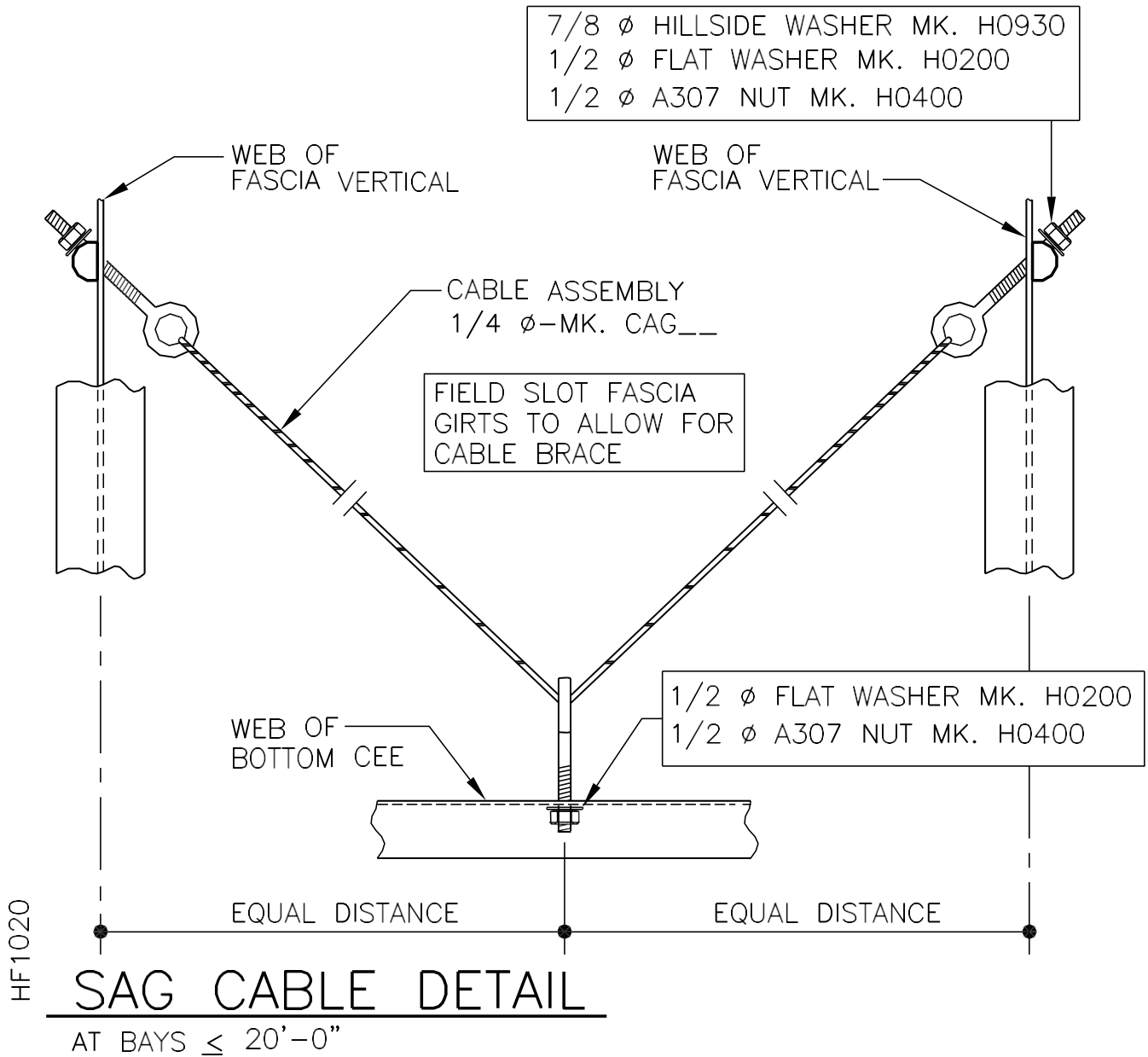


INTERMEDIATE GIRT DETAIL

NOTE: USE (4) 1/2" X 1 1/4" A307 BOLTS H0500/NUTS H0400
U.N.O. REFERENCE ERECTOR NOTE FOR TYPICAL WASHER
REQUIREMENTS

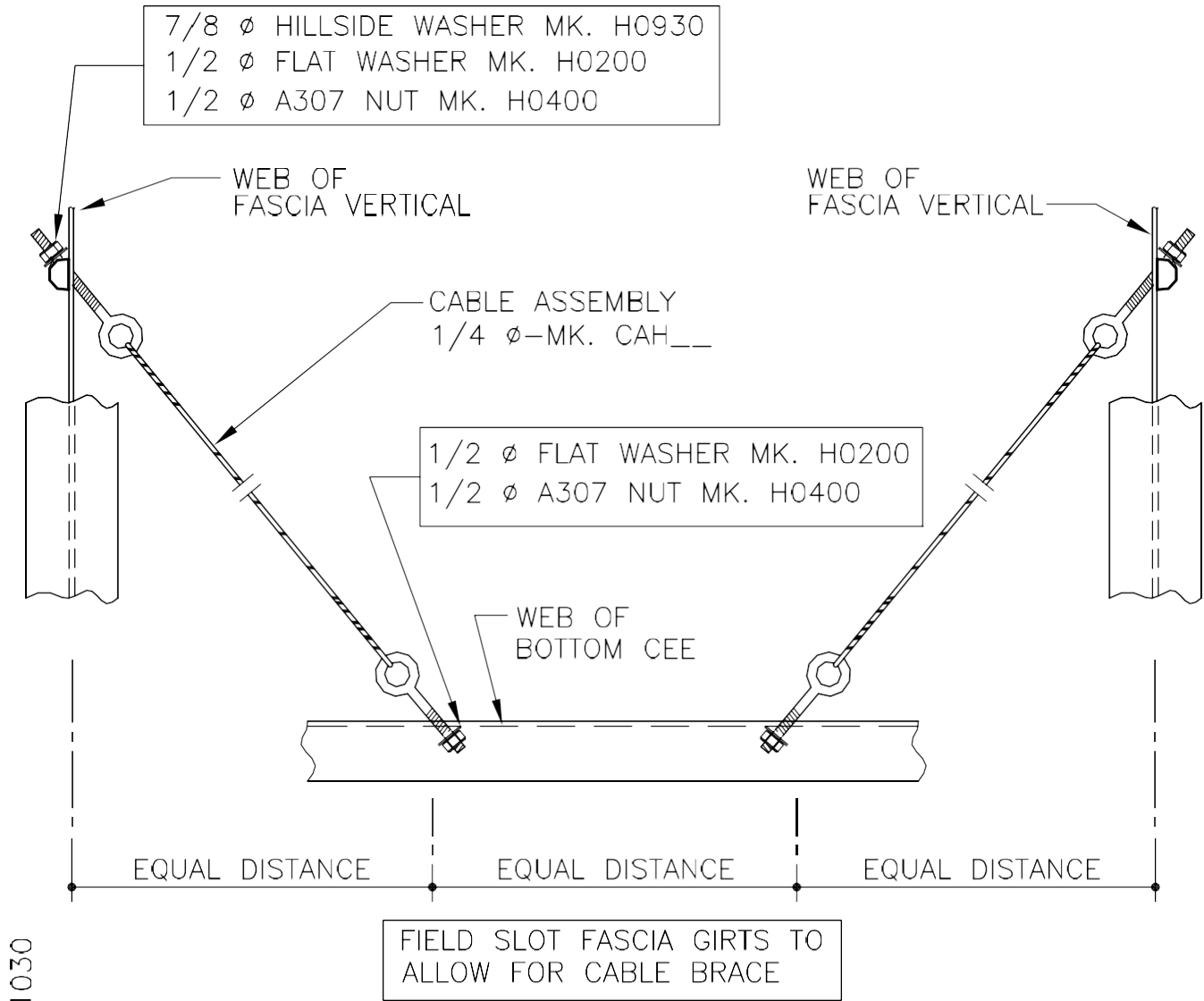
HF1010

HF1020 – SAG CABLE ($\leq 20'-0''$ BAYS)



HF1020

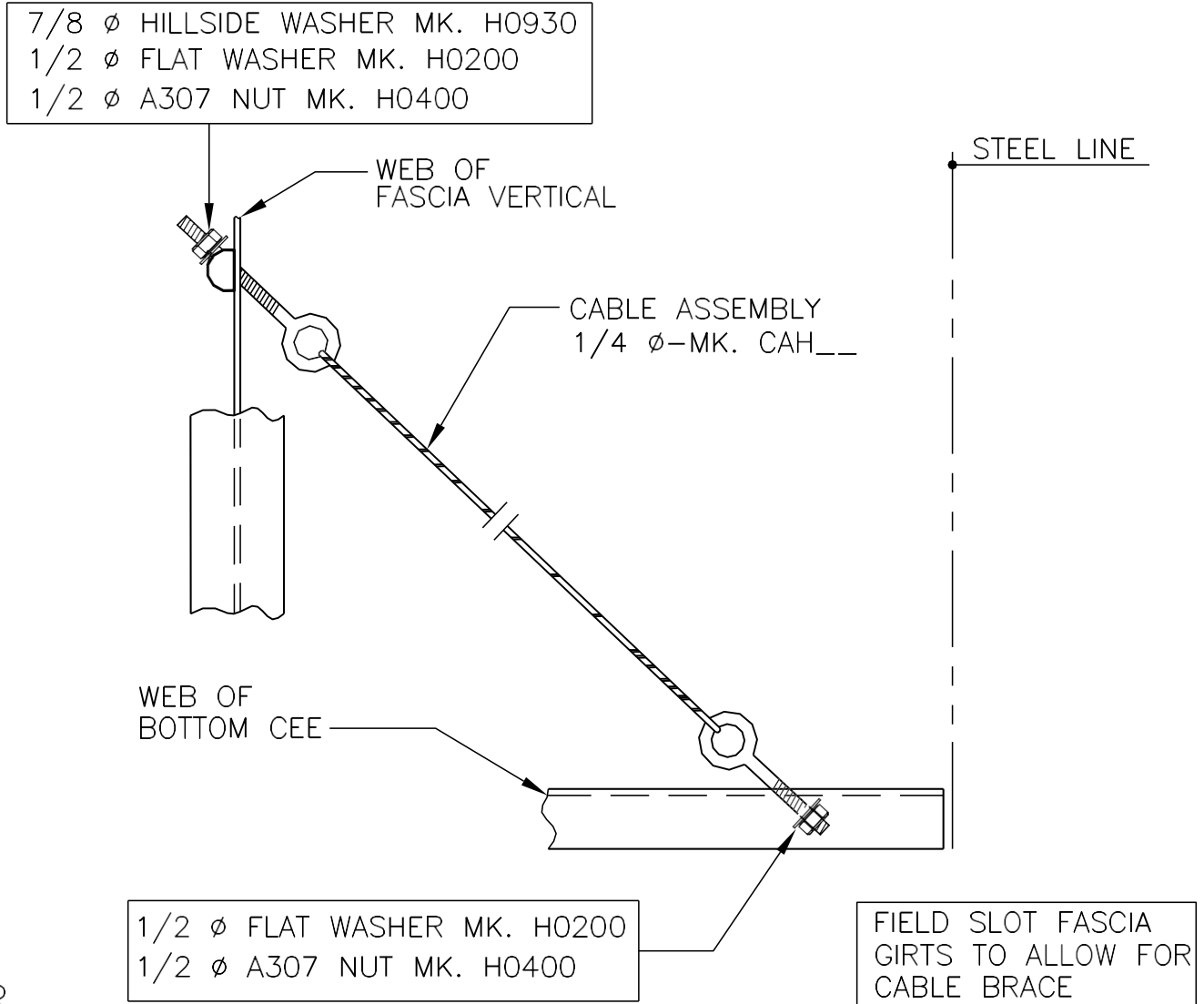
HF1030 – SAG CABLE (> 20'-0" BAYS)



HF1030

SAG CABLE DETAIL
AT BAYS > 20'-0"

HF1060 – SAG CABLE @ CORNER

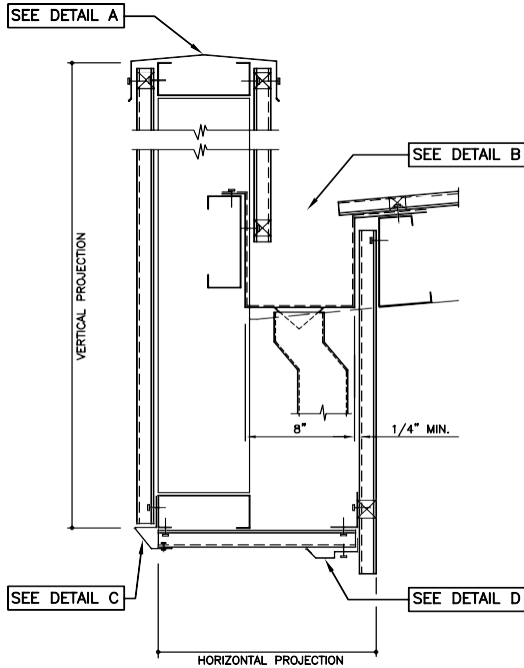


HF1060

SAG CABLE DETAIL
SIDEWALL AT CORNER

FASCIA SHEETING @ CLASSIC ROOF (CLOSED FASCIA)

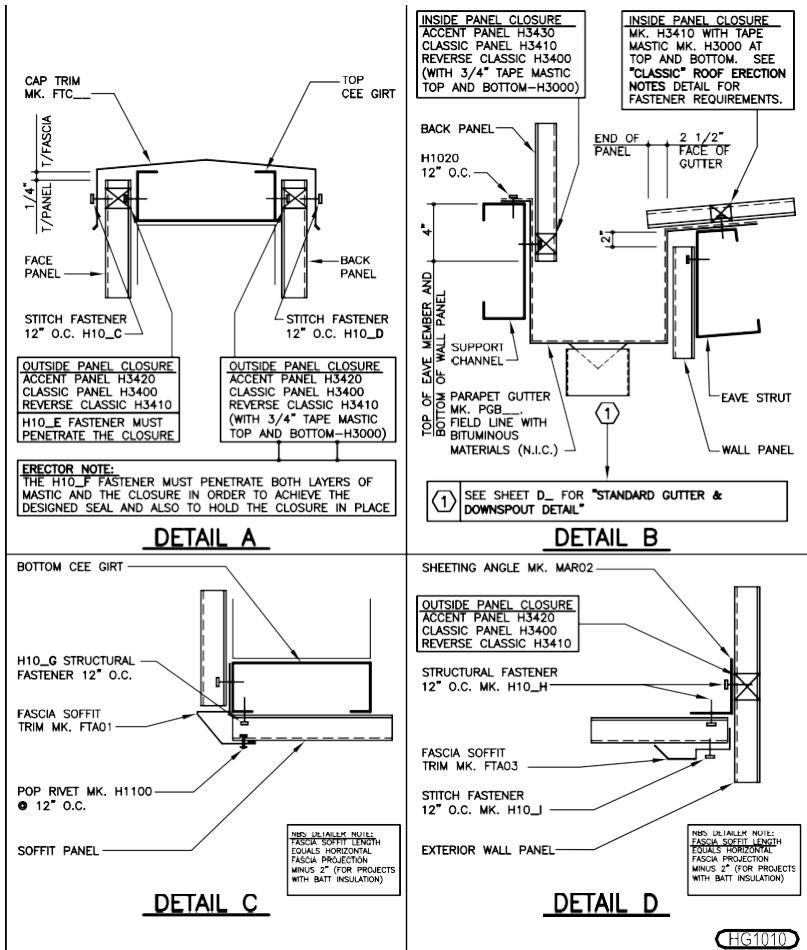
HG1010 – SIDEWALL FASCIA SHEETING W/ EAVE STRUT



SOFFIT PANEL MUST BE INSTALLED BEFORE SOFFIT TRIMS

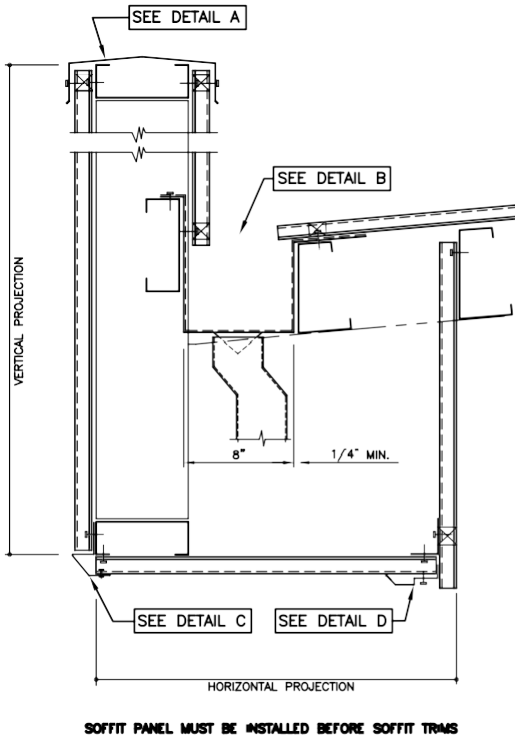
SIDEWALL FASCIA SHEETING DETAIL

"CLASSIC" ROOF AT CLOSED FASCIA WITH GUTTER AND EAVE STRUT.
1'-6" HORIZONTAL PROJECTION
SEE WALL SHEETING ERECTION NOTES FOR WALL PANEL FASTENER LOCATIONS



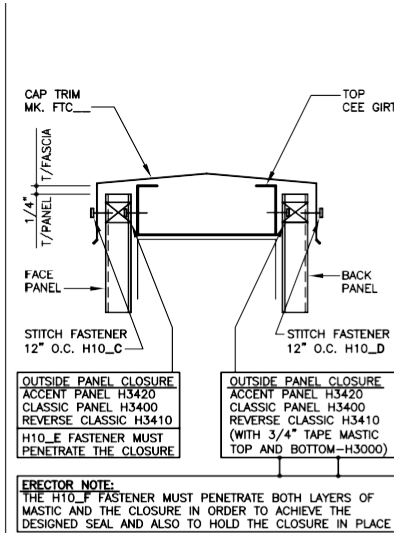
HG1010

HG1030 – SIDEWALL EXTENDED FASCIA SHEETING W/ (2) EAVE STRUTS

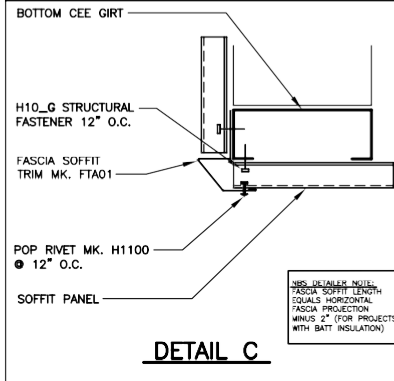


SIDEWALL FASCIA SHEETING DETAIL

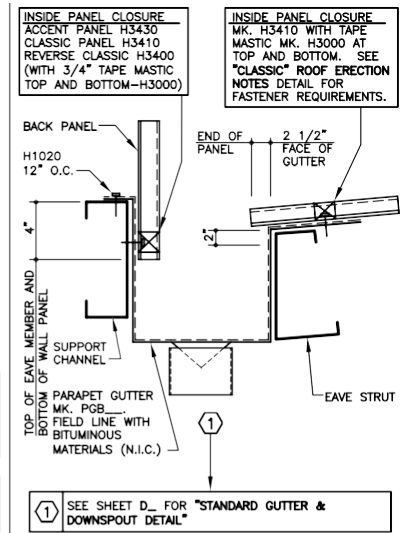
"CLASSIC" ROOF AT CLOSED FASCIA WITH GUTTER AND (2) EAVE STRUTS.
4'-0" HORIZONTAL PROJECTION.
SEE WALL SHEETING ERECTION NOTES FOR WALL PANEL FASTENER LOCATIONS



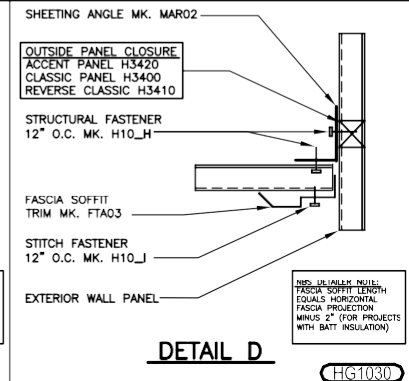
DETAIL A



DETAIL C



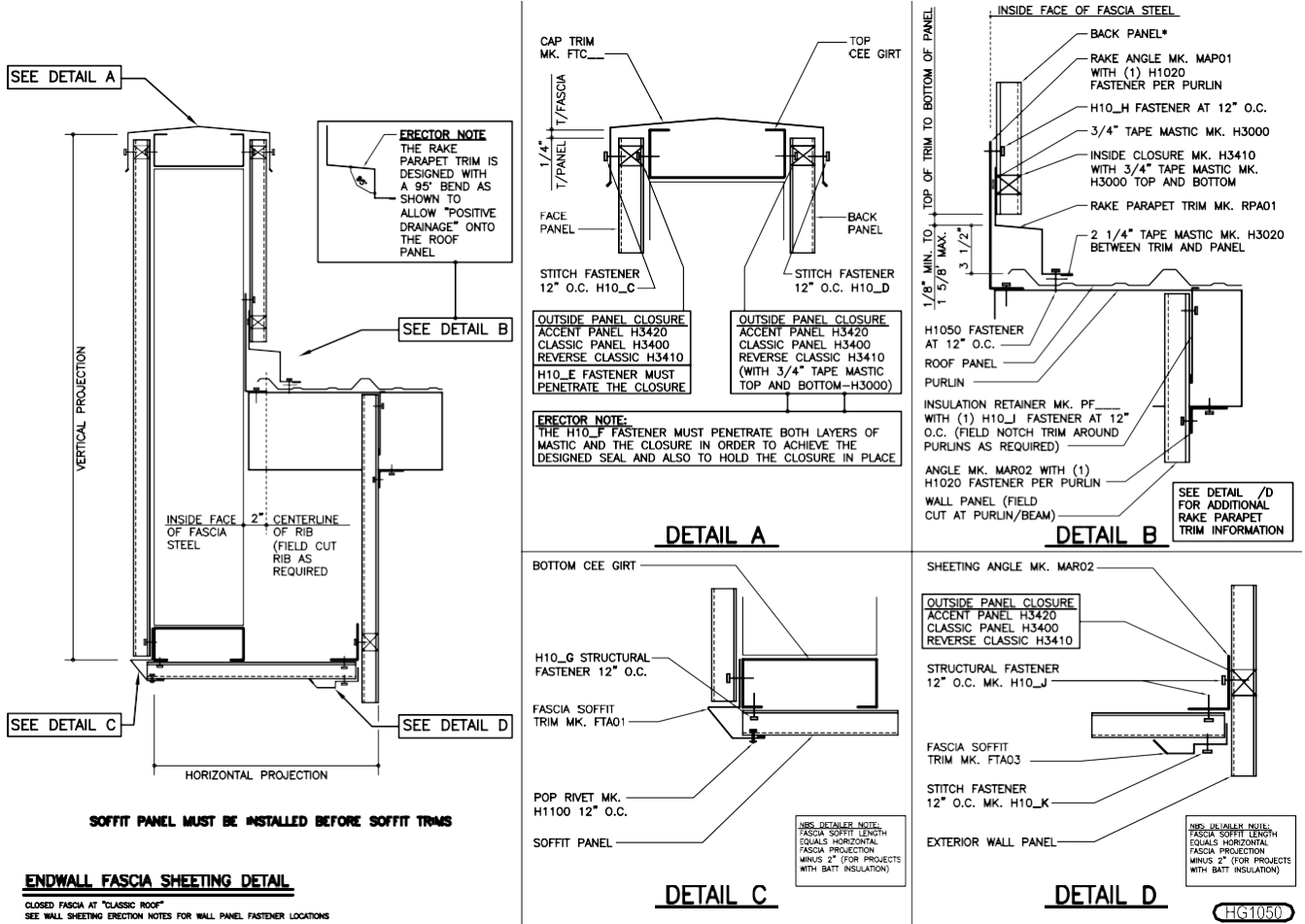
DETAIL B



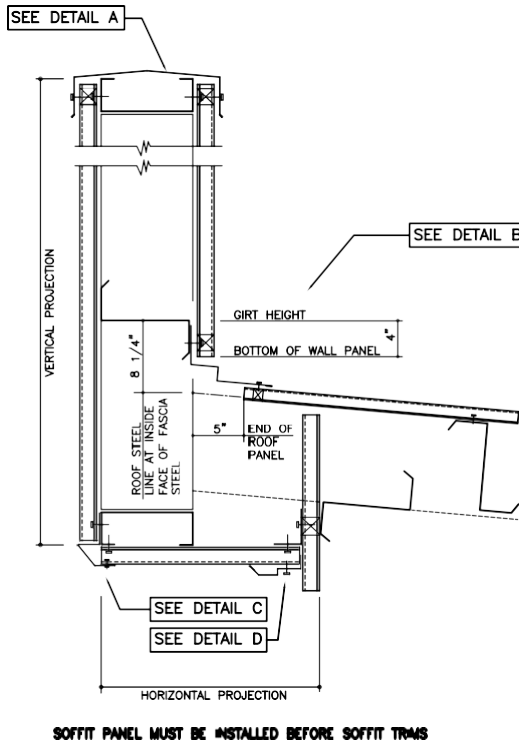
DETAIL D

HG1030

HG1050 – ENDWALL FASCIA SHEETING



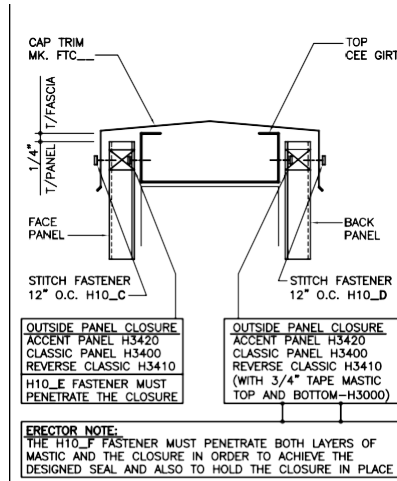
HG1060 – HIGH EAVE FASCIA SHEETING



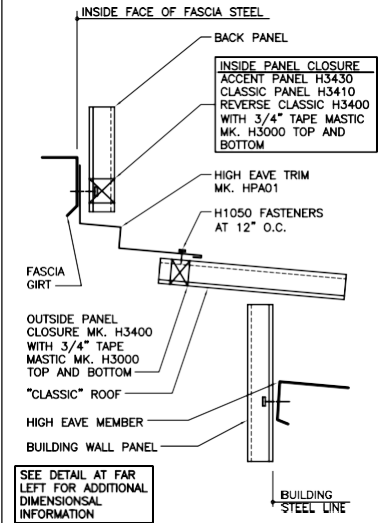
SOFFIT PANEL MUST BE INSTALLED BEFORE SOFFIT TRIMS

SIDEWALL FASCIA SHEETING DETAIL

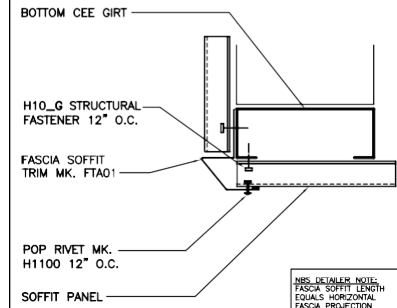
"CLASSIC" ROOF AT CLOSED FASCIA AT HIGH EAVE.
1'-6" HORIZONTAL PROJECTION
SEE WALL SHEETING ERECTION NOTES FOR WALL PANEL FASTENER LOCATIONS



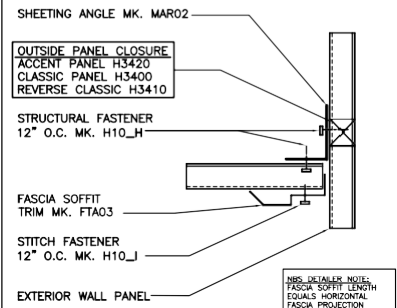
DETAIL A



DETAIL B



DETAIL C

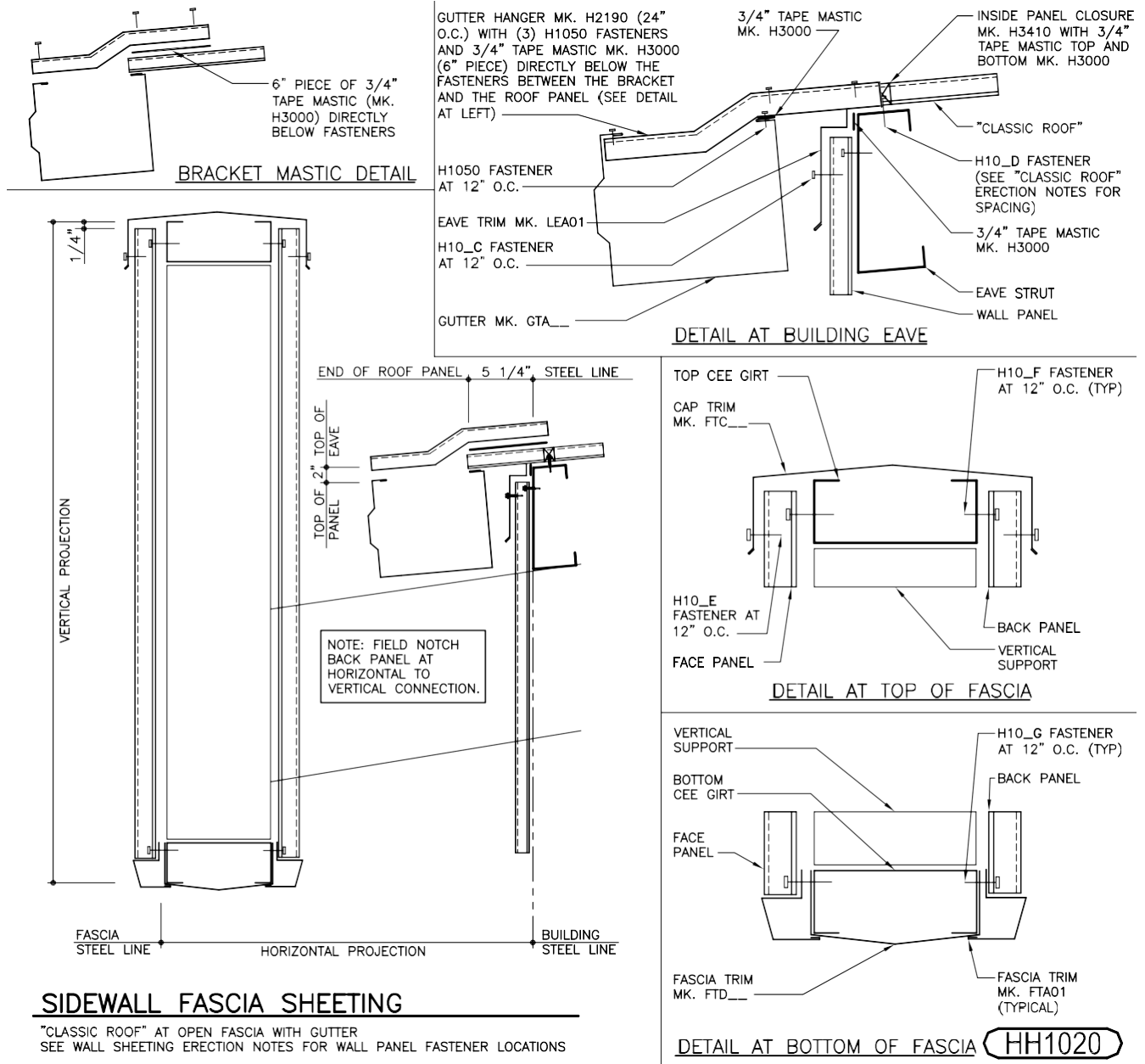


DETAIL D

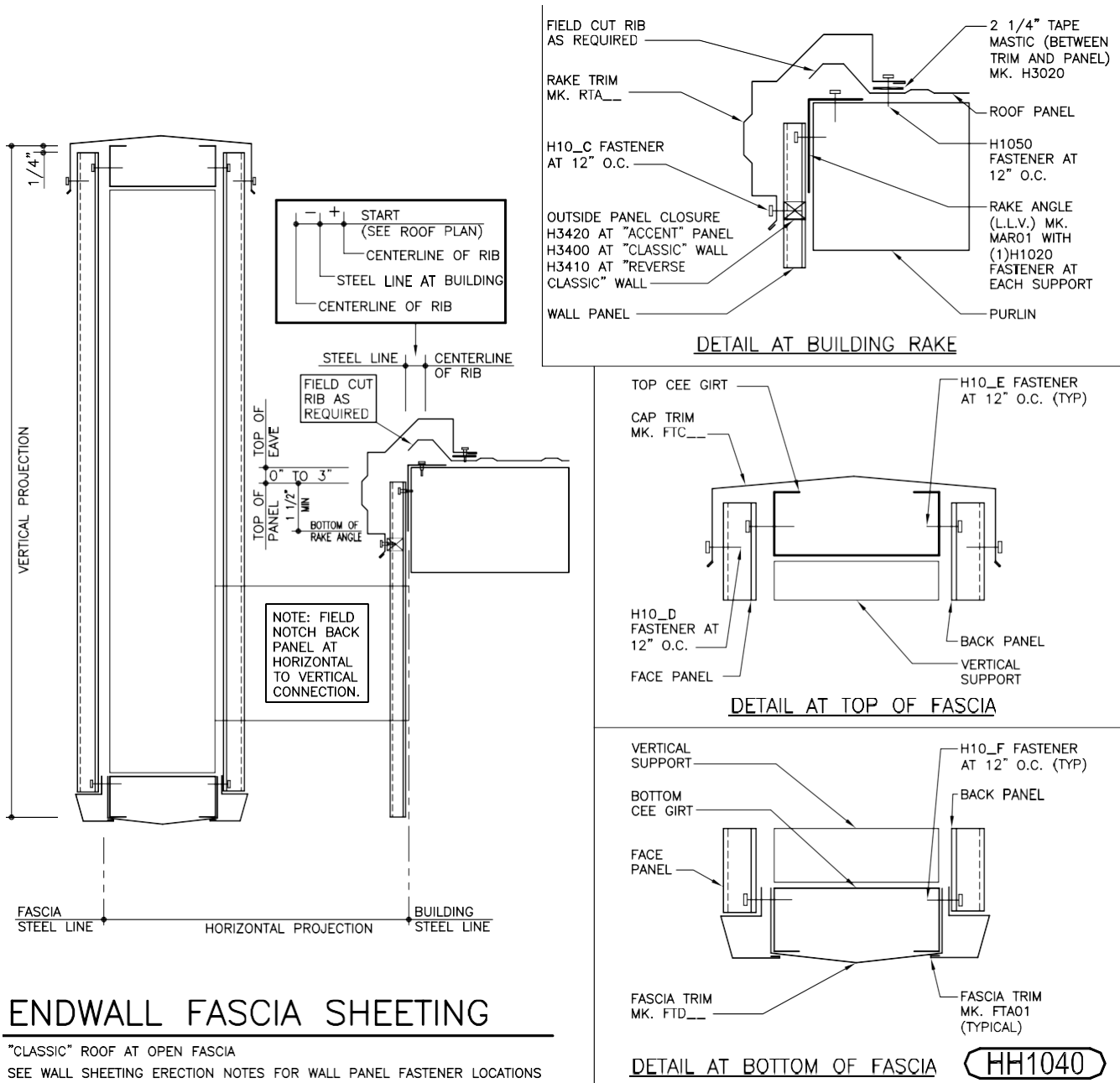
HG1060

FASCIA SHEETING @ CLASSIC ROOF (OPEN FASCIA)

HH1020 – SIDEWALL FASCIA SHEETING W/ GUTTER



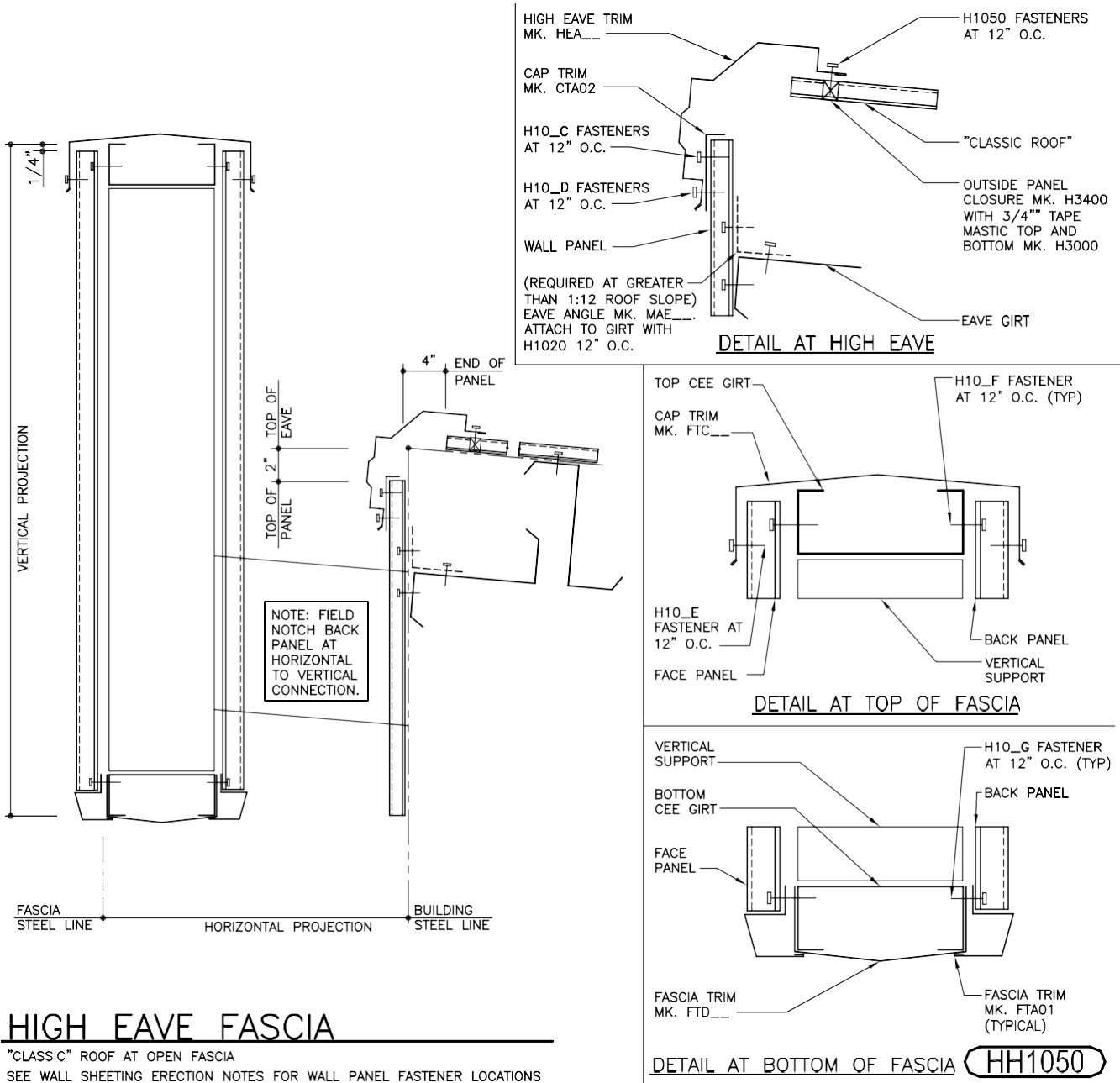
HH1040 – ENDWALL FASCIA SHEETING



ENDWALL FASCIA SHEETING

"CLASSIC" ROOF AT OPEN FASCIA
SEE WALL SHEETING ERECTION NOTES FOR WALL PANEL FASTENER LOCATIONS

HH1050 – HIGH EAVE FASCIA SHEETING

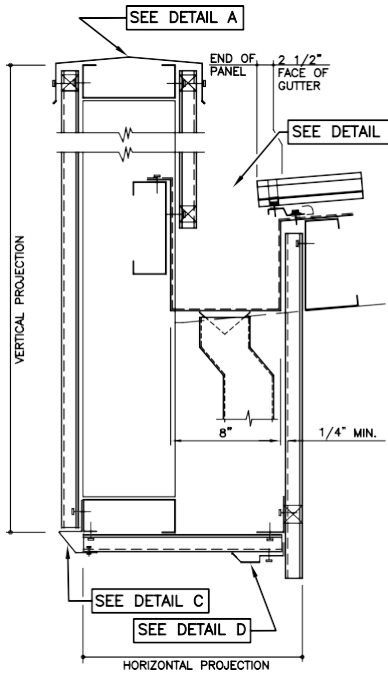


HIGH EAVE FASCIA

"CLASSIC" ROOF AT OPEN FASCIA
SEE WALL SHEETING ERECTION NOTES FOR WALL PANEL FASTENER LOCATIONS

FASCIA SHEETING @ CFR ROOF (CLOSED FASCIA)

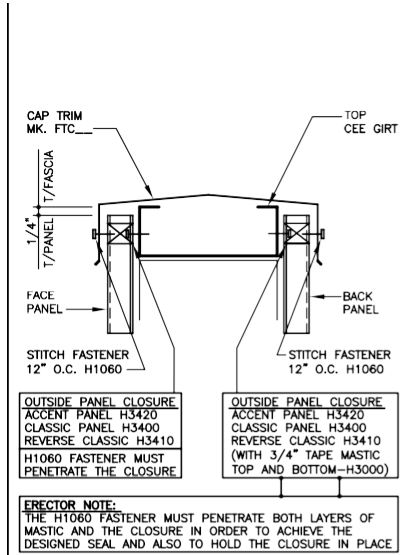
HI6020 – SIDEWALL FASCIA SHEETING W/ EAVE STRUT



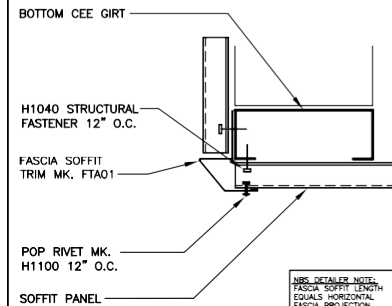
SOFFIT PANEL MUST BE INSTALLED BEFORE SOFFIT TRIMS

SIDEWALL FASCIA SHEETING DETAIL

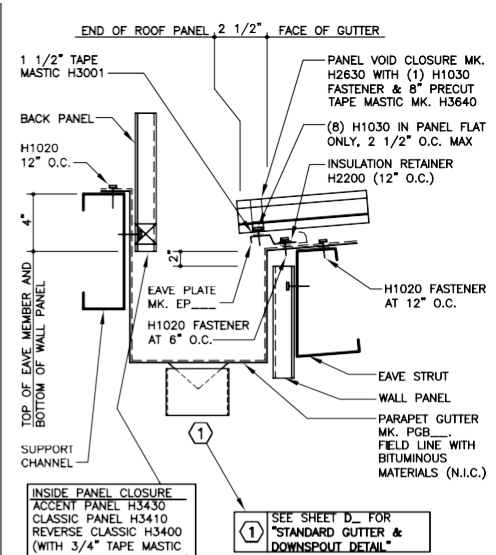
"CFR" ROOF AT CLOSED FASCIA WITH GUTTER AND EAVE STRUT. 1'-6" HORIZONTAL PROJECTION
SEE WALL SHEETING ERECTION NOTES FOR WALL PANEL FASTENER LOCATIONS



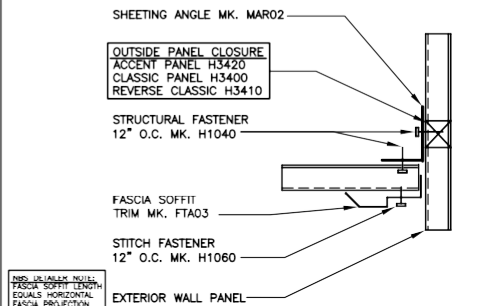
DETAIL A



DETAIL C



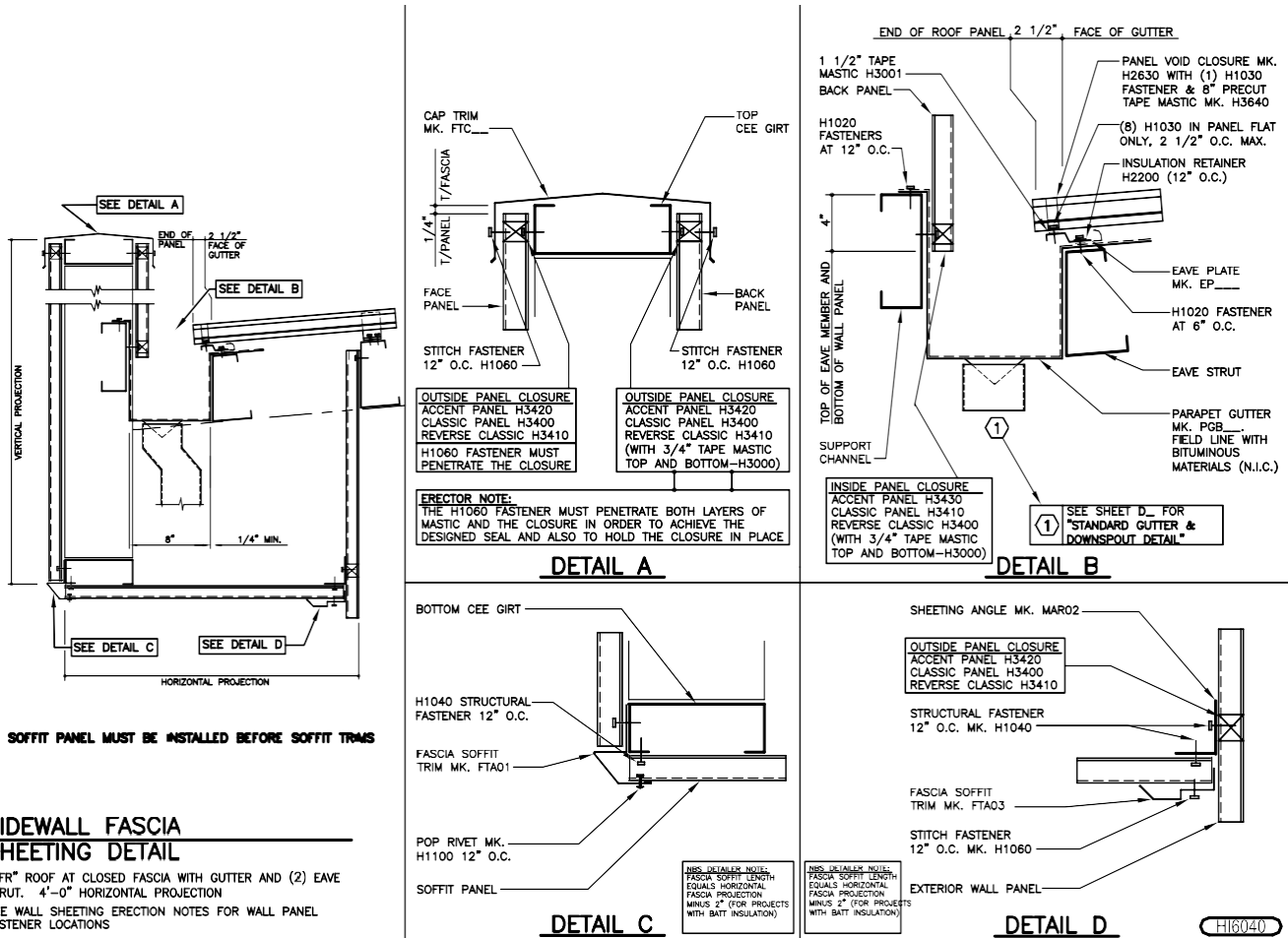
DETAIL B



DETAIL D

HI6020

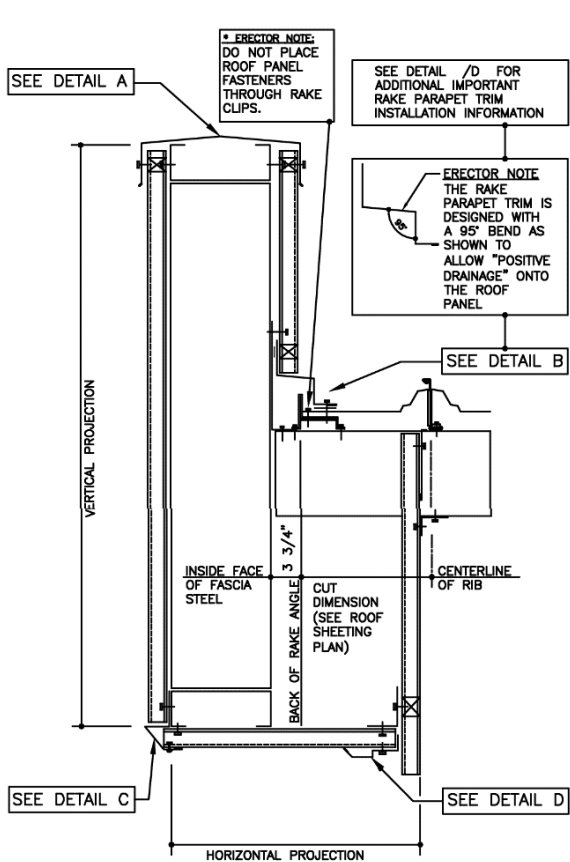
HI6040 – SIDEWALL EXTENDED FASCIA SHEETING W/ (2) EAVE STRUTS



SIDEWALL FASCIA SHEETING DETAIL

"CFR" ROOF AT CLOSED FASCIA WITH GUTTER AND (2) EAVE STRUT. 4'-0" HORIZONTAL PROJECTION
SEE WALL SHEETING ERECTION NOTES FOR WALL PANEL FASTENER LOCATIONS

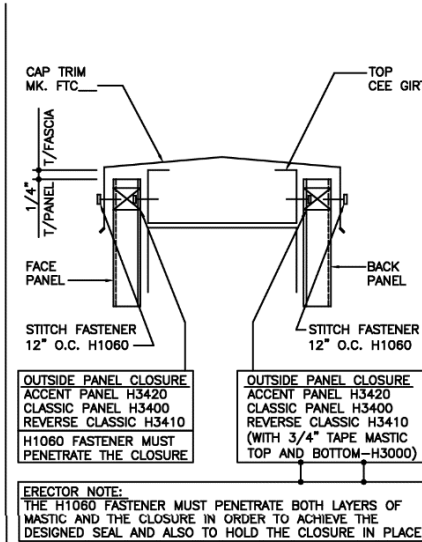
HI6060 – ENDWALL FASCIA SHEETING



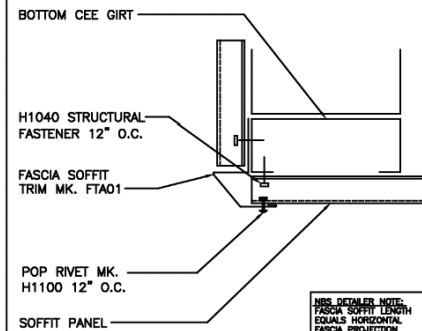
SOFFIT PANEL MUST BE INSTALLED BEFORE SOFFIT TRIMS

HI6060
ENDWALL FASCIA SHEETING DETAIL

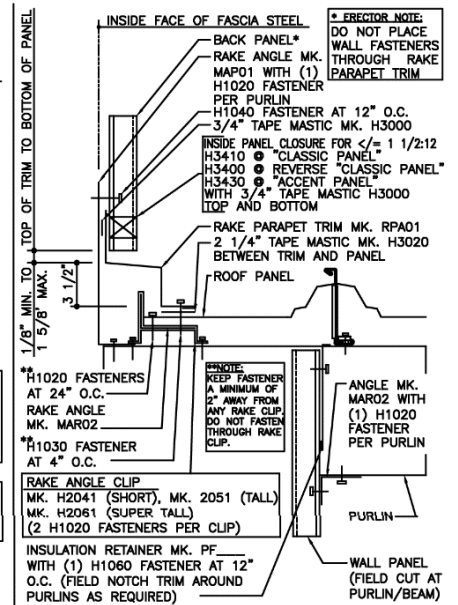
1 CLOSED FASCIA AT "TOP ROOF"
SEE WALL SHEETING ERECTION NOTES FOR WALL PANEL FASTENER LOCATIONS



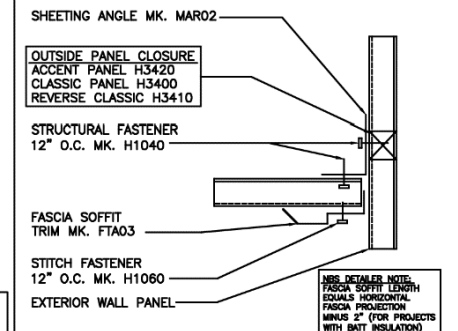
DETAIL A



DETAIL C



DETAIL B

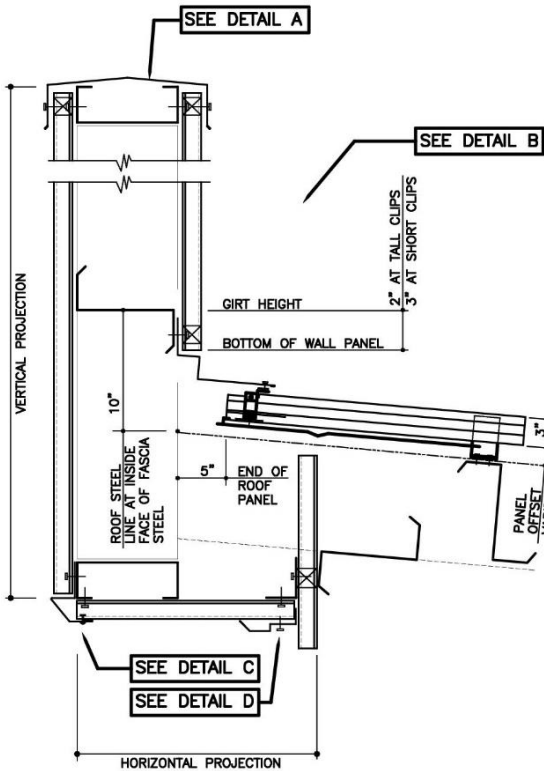


DETAIL D

(HI6060)

HI6070 – HIGH EAVE FASCIA SHEETING

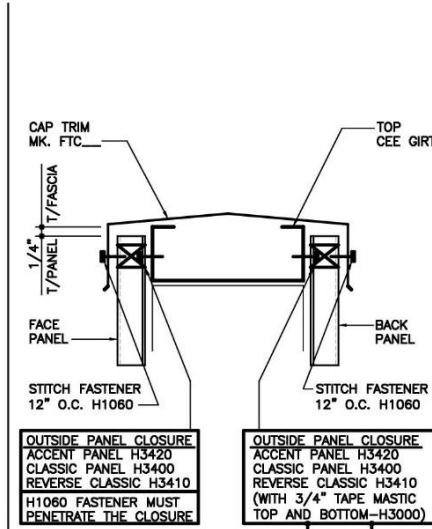
ERECTOR NOTE:
H1020 SCREWS AND H2200 INSULATION WASHERS HAVE BEEN SUPPLIED AT 12" O.C. FOR INSULATION ATTACHMENT AT THE HIGH EAVE. FIELD NOTCH PANELS AS NEEDED TO ALLOW FOR PROPER END DAM FIT UP.



SOFFIT PANEL MUST BE INSTALLED BEFORE SOFFIT TRIMS

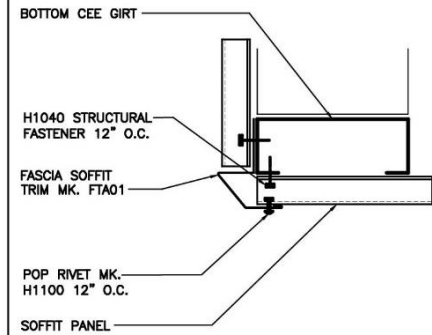
SIDEWALL FASCIA SHEETING DETAIL

"CFR" ROOF AT CLOSED FASCIA AT HIGH EAVE.
1'-6" HORIZONTAL PROJECTION
SEE WALL SHEETING ERECTION NOTES FOR WALL PANEL FASTENER LOCATIONS

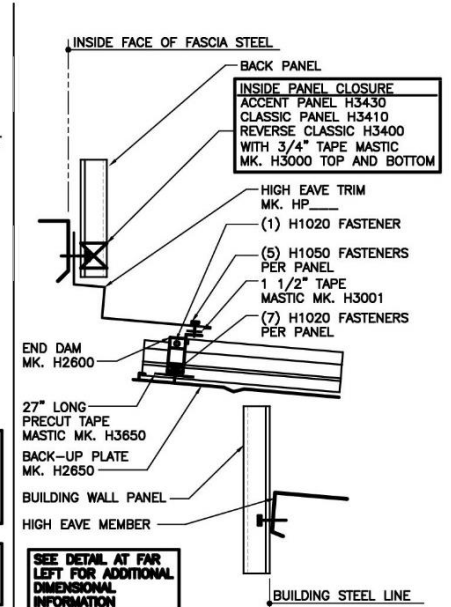


ERECTOR NOTE:
THE H1080 FASTENER MUST PENETRATE BOTH LAYERS OF MASTIC AND THE CLOSURE IN ORDER TO ACHIEVE THE DESIGNED SEAL AND ALSO TO HOLD THE CLOSURE IN PLACE

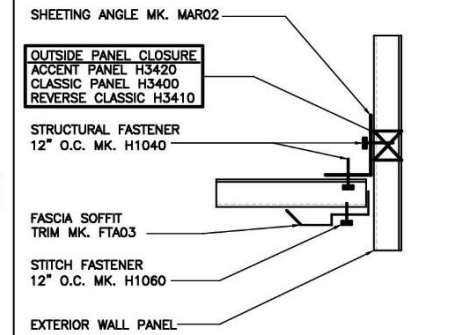
DETAIL A



DETAIL C



DETAIL B

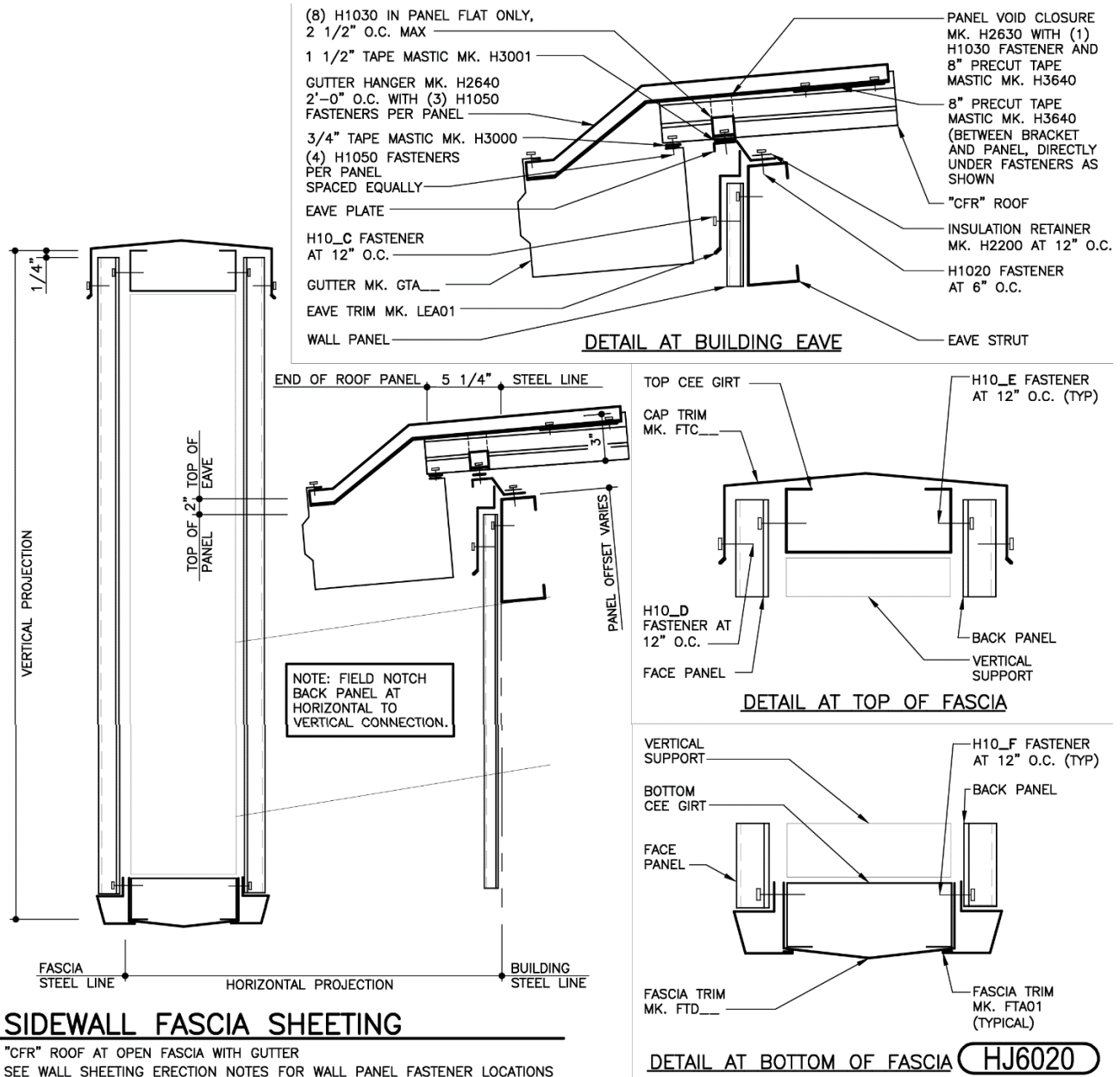


DETAIL D

HI6070

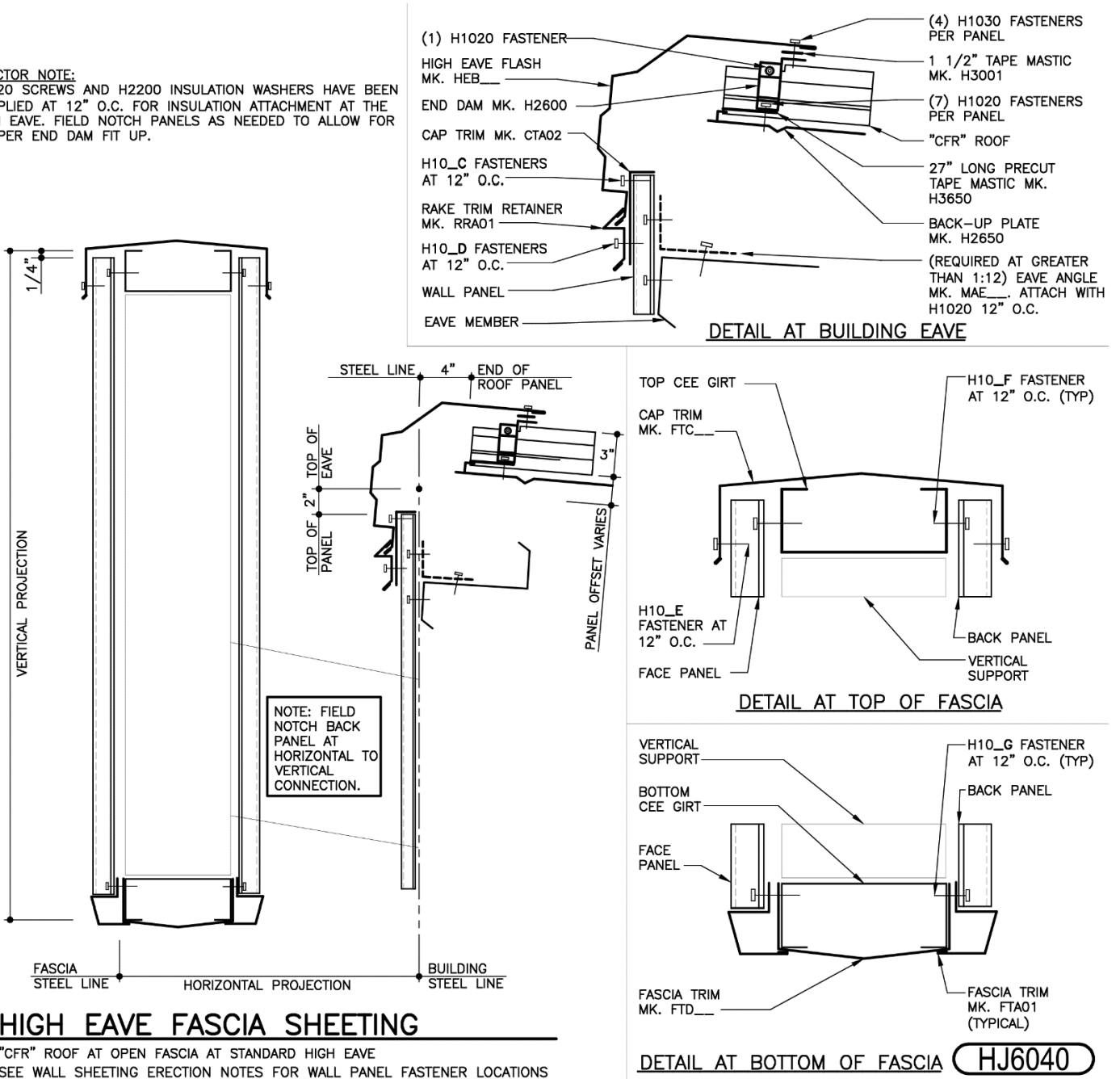
FASCIA SHEETING @ CFR ROOF (OPEN FASCIA)

HJ6020 – SIDEWALL FASCIA SHEETING W/ GUTTER

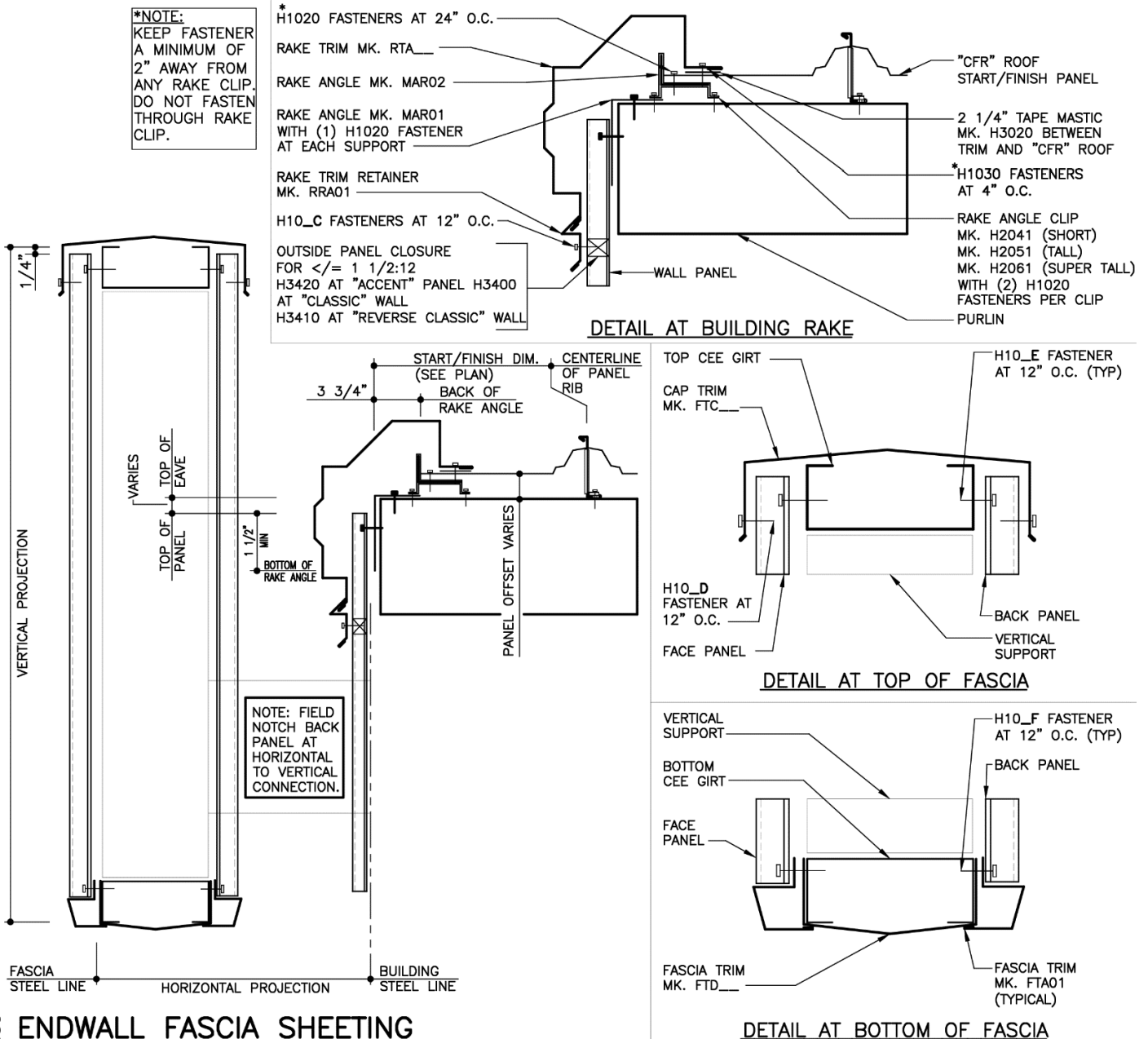


HJ6040 – HIGH EAVE FASCIA SHEETING

ERECTOR NOTE:
H1020 SCREWS AND H2200 INSULATION WASHERS HAVE BEEN SUPPLIED AT 12" O.C. FOR INSULATION ATTACHMENT AT THE HIGH EAVE. FIELD NOTCH PANELS AS NEEDED TO ALLOW FOR PROPER END DAM FIT UP.



HJ6050 – ENDWALL FASCIA SHEETING

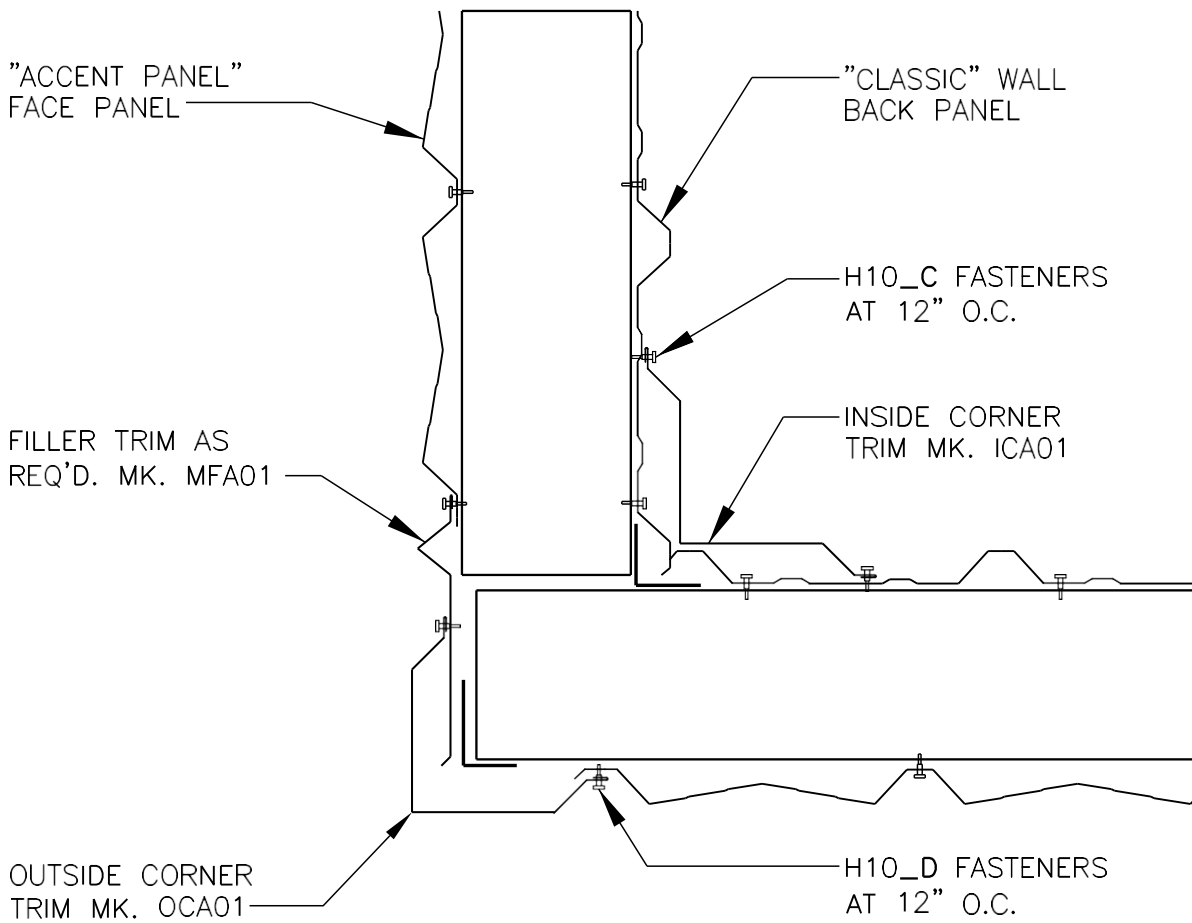


HJ6050 **ENDWALL FASCIA SHEETING**
"CFR" ROOF AT OPEN FASCIA AT SCULPTURED RAKE
SEE WALL SHEETING ERECTION NOTES FOR WALL PANEL FASTENER LOCATIONS

HJ6050

FASCIA TRIM

HK1020 – OUTSIDE CORNER W/ “ACCENT PANEL” FACE PANEL



FASCIA CORNER TRIM

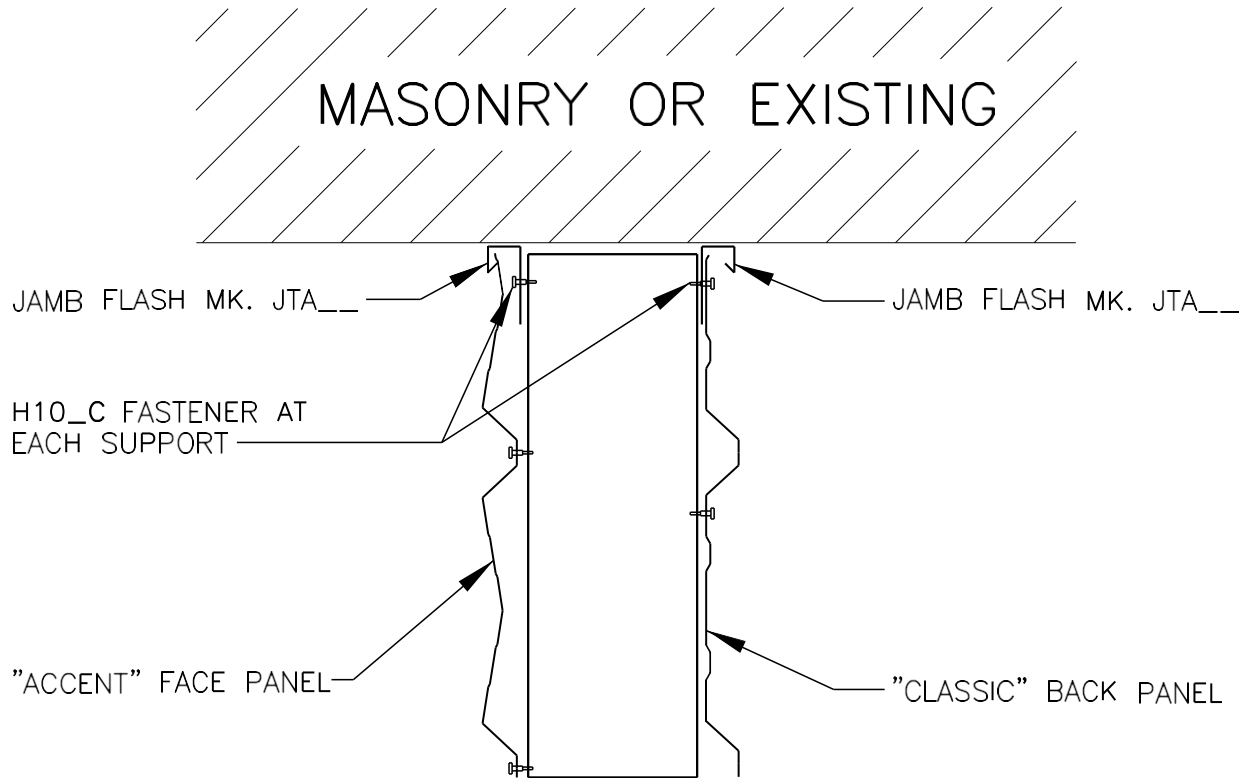
"ACCENT" FACE PANEL

"CLASSIC" BACK PANEL

SEE WALL SHEETING ERECTION NOTES FOR WALL PANEL FASTENER LOCATIONS

HK1020

HK1050 – FASCIA TERMINATION @ EXISTING W/ “ACCENT PANEL” FACE PANEL



FASCIA CORNER TERMINATION

“ACCENT” FACE PANEL

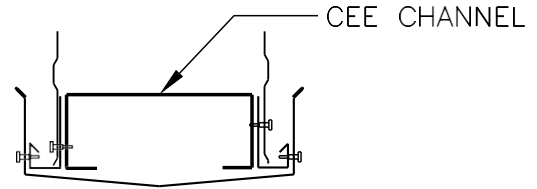
“CLASSIC” BACK PANEL

SEE WALL SHEETING ERECTION NOTES FOR WALL PANEL FASTENER LOCATIONS

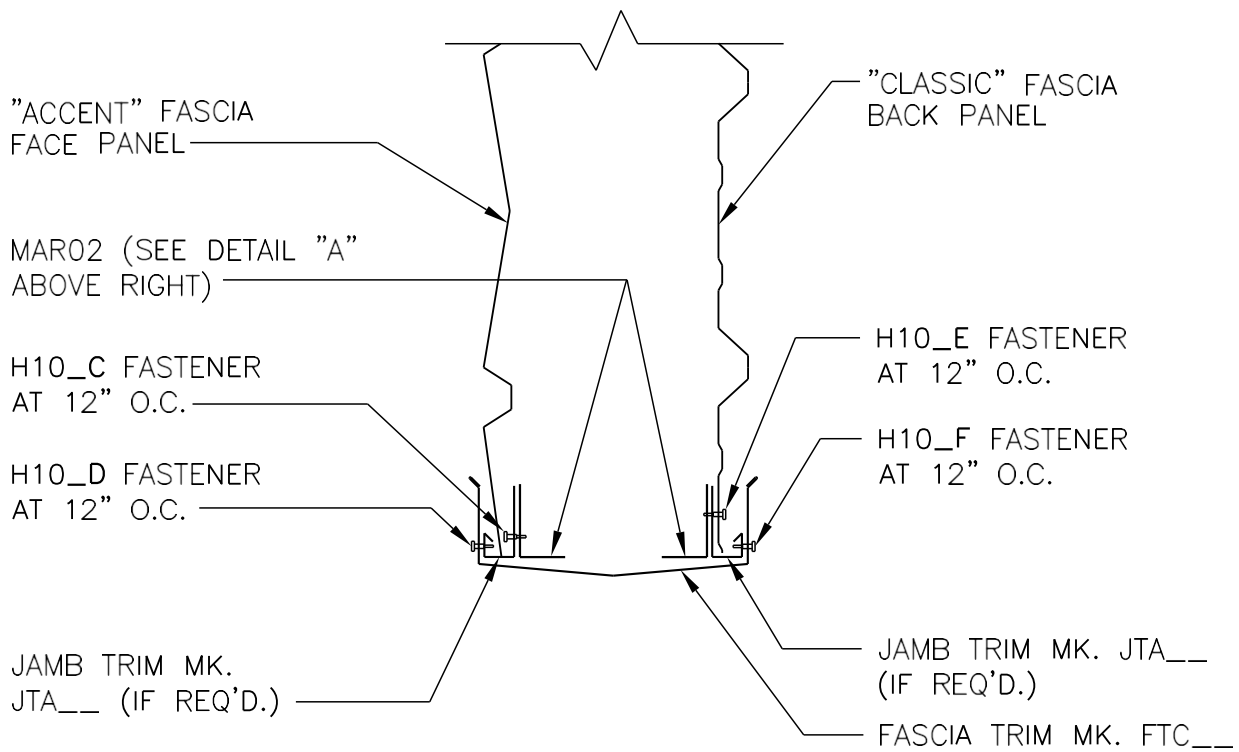
HK1050

HK1090 – FASCIA TERMINATION ABOVE ROOF W/ “ACCENT PANEL” FACE PANEL

SUPPORT MEMBER MAY BE A CEE CHANNEL IN LIEU OF MAR02 ANGLES. REFER TO FASCIA ELEVATIONS AND FASCIA STRUCTURAL DETAILS.



DETAIL "A"



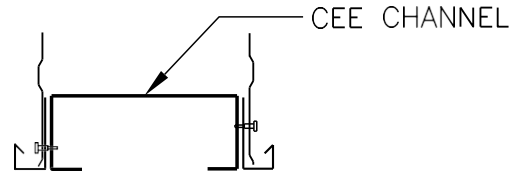
FASCIA TERMINATION SECTION

ABOVE ROOF

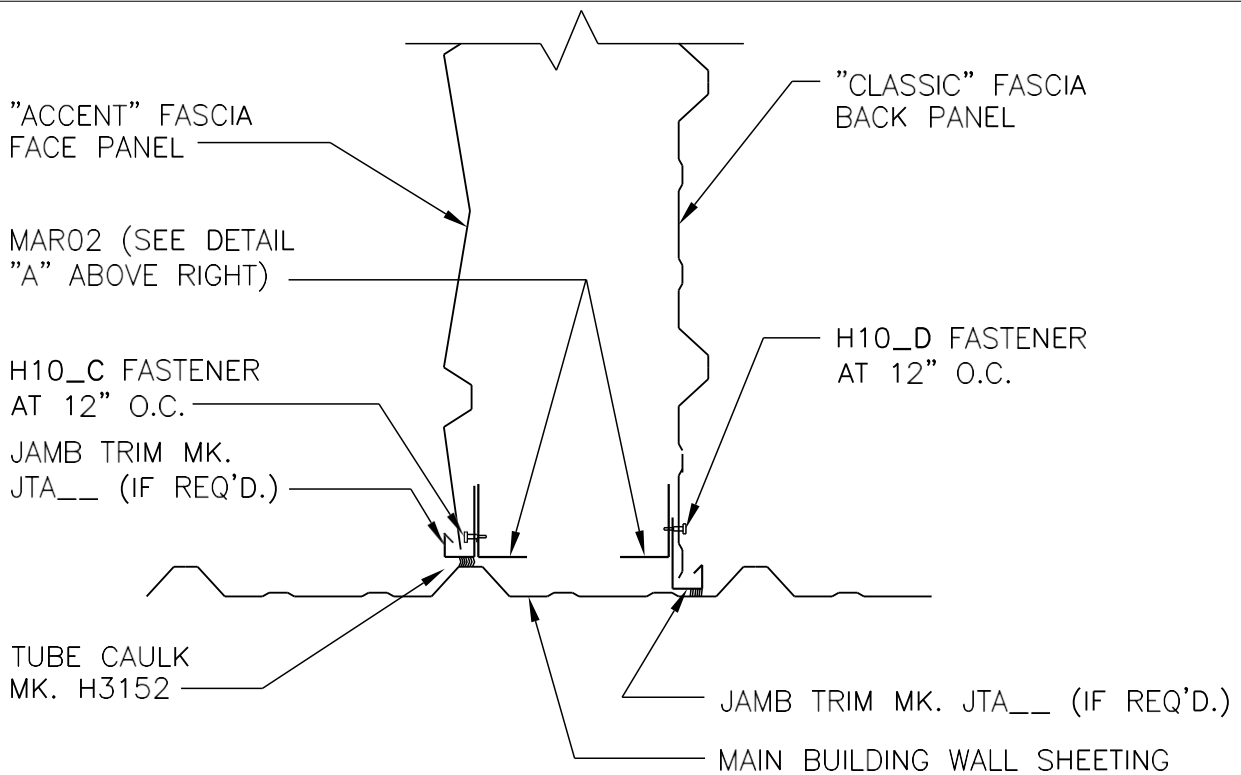
HK1090

HK1120 – FASCIA TERMINATION BELOW ROOF W/ “ACCENT PANEL” FACE PANEL

SUPPORT MEMBER MAY BE A CEE CHANNEL IN LIEU OF MAR02 ANGLES. REFER TO FASCIA ELEVATIONS AND FASCIA STRUCTURAL DETAILS.



DETAIL "A"

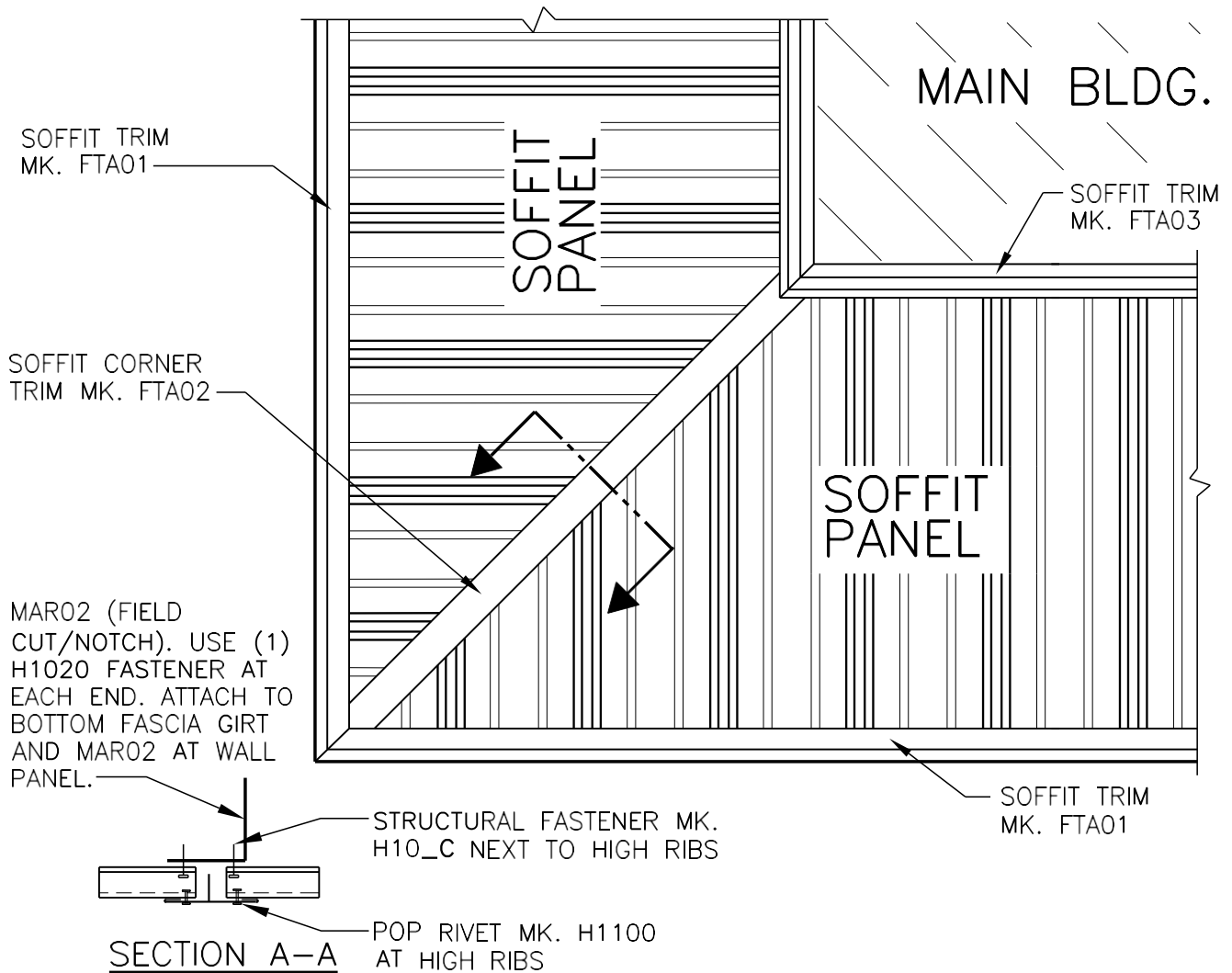


FASCIA TERMINATION SECTION

BELOW ROOF

HK1120

HK1140 – SOFFIT CORNER TRIM

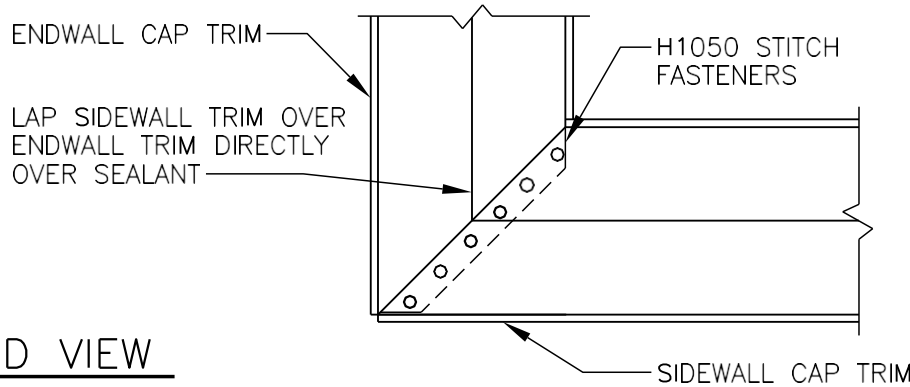


SOFFIT CORNER TRIM

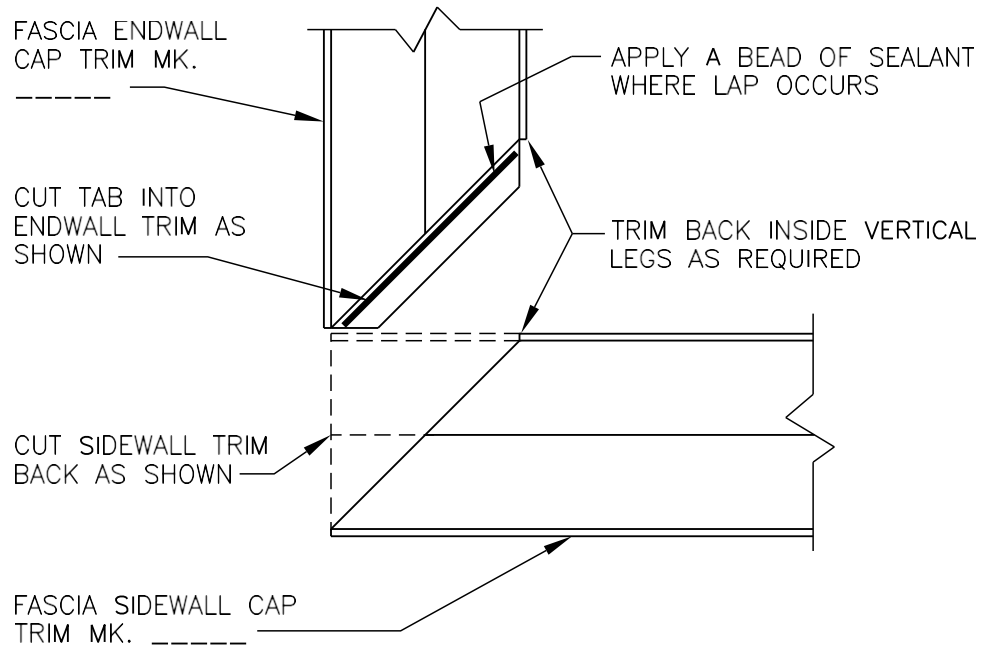
BOTTOM VIEW

HK1140

HK1150 – FASCIA CAP TRIM @ CORNER



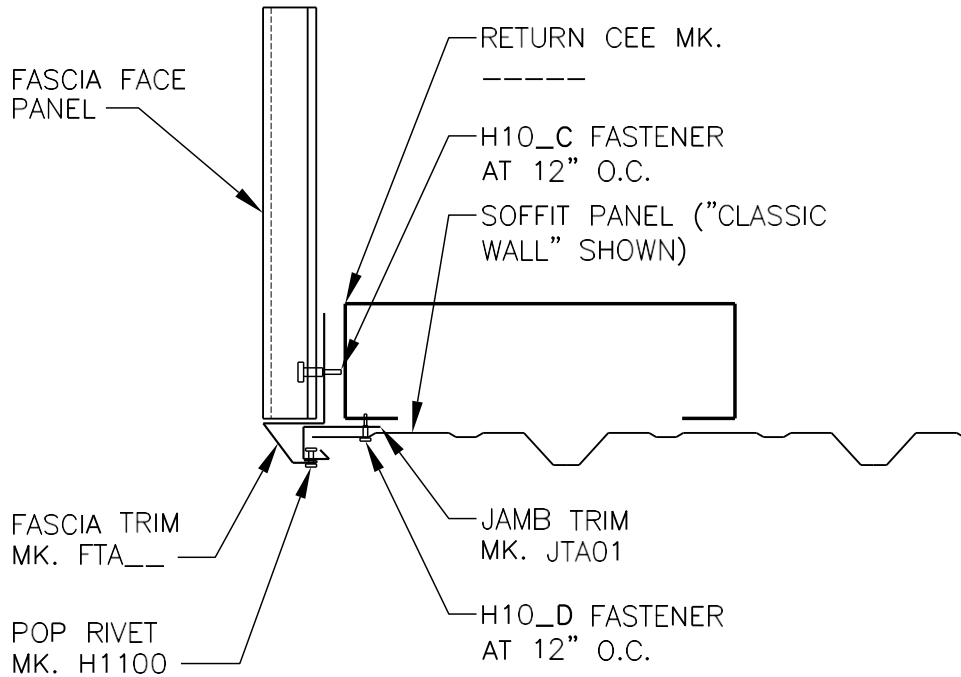
FINISHED VIEW



FASCIA CAP TRIM CORNER DETAIL

HK1150

HK1170 – FASCIA TERMINATION @ SOFFIT W/ CHANNEL RETURN

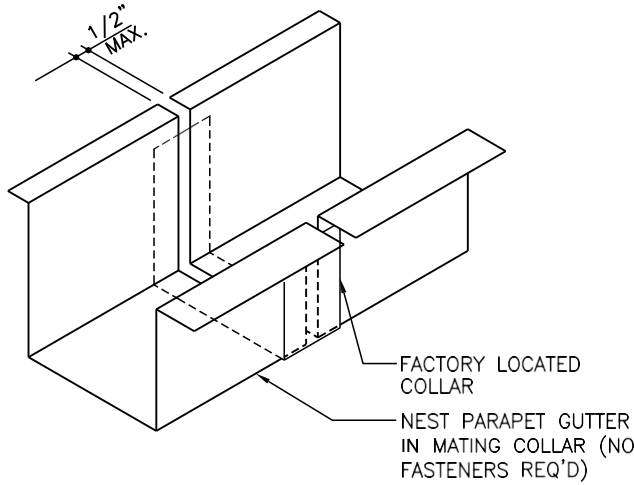


SOFFIT PANEL MUST BE INSTALLED BEFORE SOFFIT TRIMS

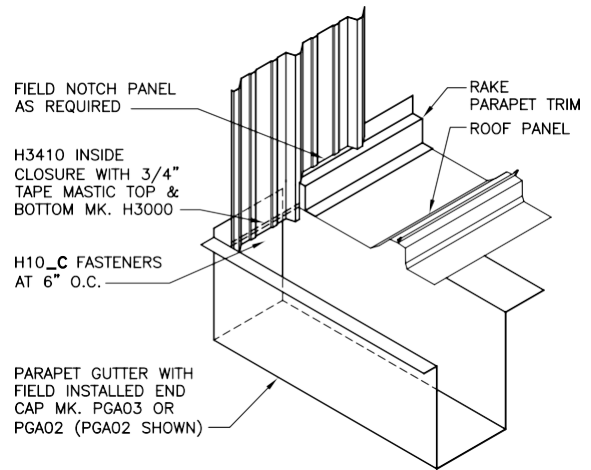
FASCIA TERMINATION

HK1170

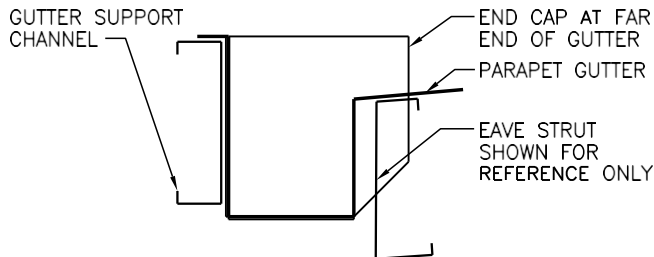
HK1180 – PARAPET GUTTER INTERIOR SPLICE



SPLICE DETAIL



GUTTER TERMINATION AT BACK PANEL
"CFR" OR "VR16" ROOF

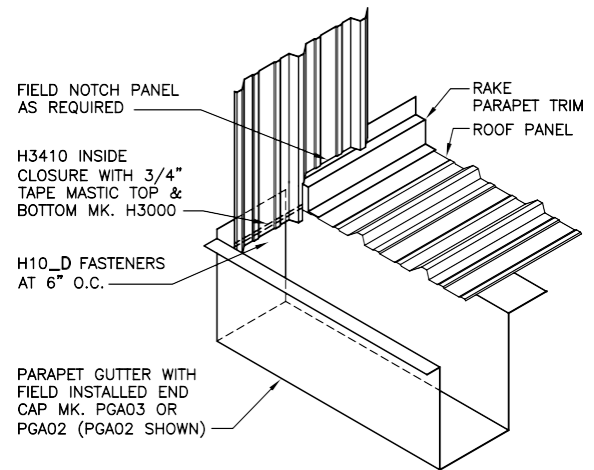


LEFT AND RIGHT PARAPET END CAP PART NUMBERS
USE PGA02 AT THE FAR END OF THE GUTTER
USE PGA03 AT THE NEAR END OF THE GUTTER

END CAP ORIENTATION DETAIL

- NOTES:
- 1) FIELD WELD THE PARAPET GUTTER END CAP TO THE PARAPET GUTTER.
 - 2) RUBBER LINER FOR PARAPET GUTTERS IS NOT SUPPLIED BY NUCOR BUILDING SYSTEMS. INSTALL BEFORE THE ROOF PANELS ARE INSTALLED.

PARAPET GUTTER INSTALLATION DETAILS



GUTTER TERMINATION AT BACK PANEL
"CLASSIC" ROOF

HK1180